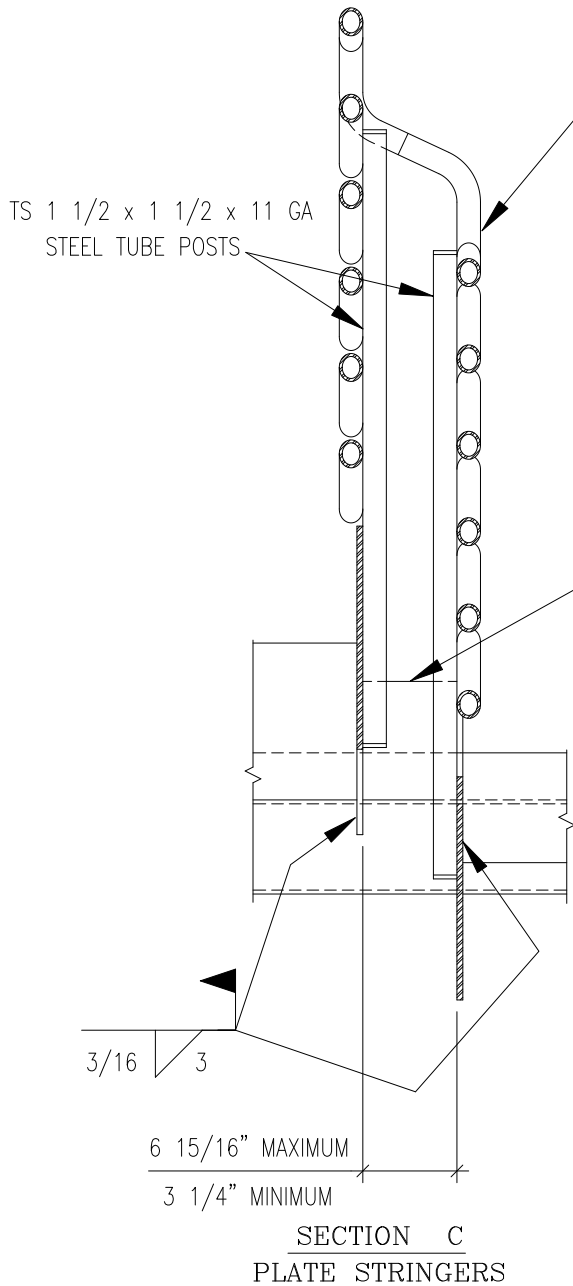
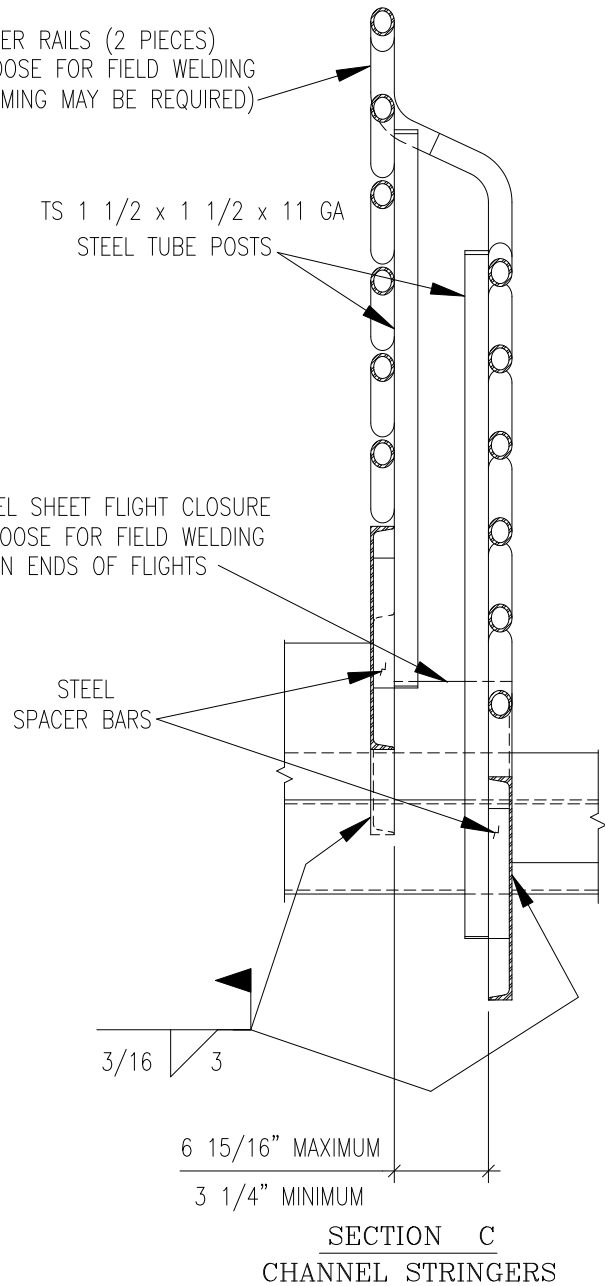


TYPICAL PLAN  
AT CROSSOVER RAILS



SECTION C  
PLATE STRINGERS



SECTION C  
CHANNEL STRINGERS

FOR FURTHER DETAIL PLEASE VISIT [WWW.SHARONSTAIR.COM](http://WWW.SHARONSTAIR.COM)



LINE RAIL TRANSITION AT LANDINGS

SECTION THRU RAILS BETWEEN STAIR FLIGHTS

5TH EDITION

SCALE: 1"=1'-0"

9-5