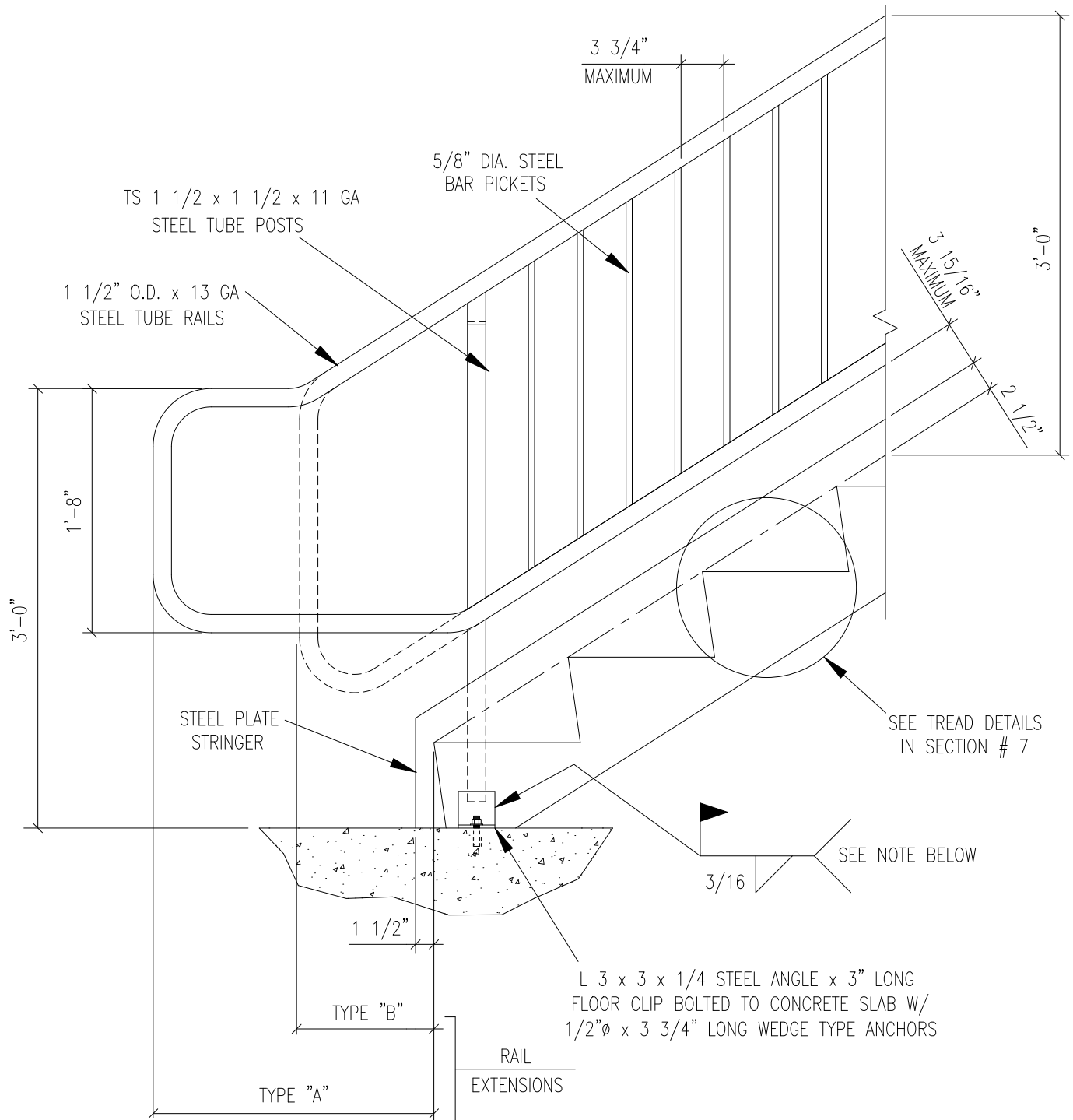


ADDITIONAL INFORMATION AVAILABLE IN SECTION # 14  
FOR SPECIAL AND MISCELLANEOUS END CONDITIONS.



RAIL EXTENSIONS MAY VARY PER LOCAL CODE  
TYPE "A" = 1'-11" OR 1 TREAD + 12"  
TYPE "B" = 11" OR 12"

FOR FURTHER DETAIL PLEASE VISIT [WWW.SHARONSTAIR.COM](http://WWW.SHARONSTAIR.COM)

**NOTE** SHOP WELDED FOR CONCRETE FILL AND PRECAST TREADS.  
SHIPPED LOOSE & FIELD WELDED FOR TUFF-COAT,  
TUFF-TREAD, & CHECKERED PLATE TREADS.



### PICKET RAIL STARTER RAIL

RAIL TRANSITION AT BOTTOM OF STAIR

5TH EDITION

SCALE: 1"=1'-0"

9-13