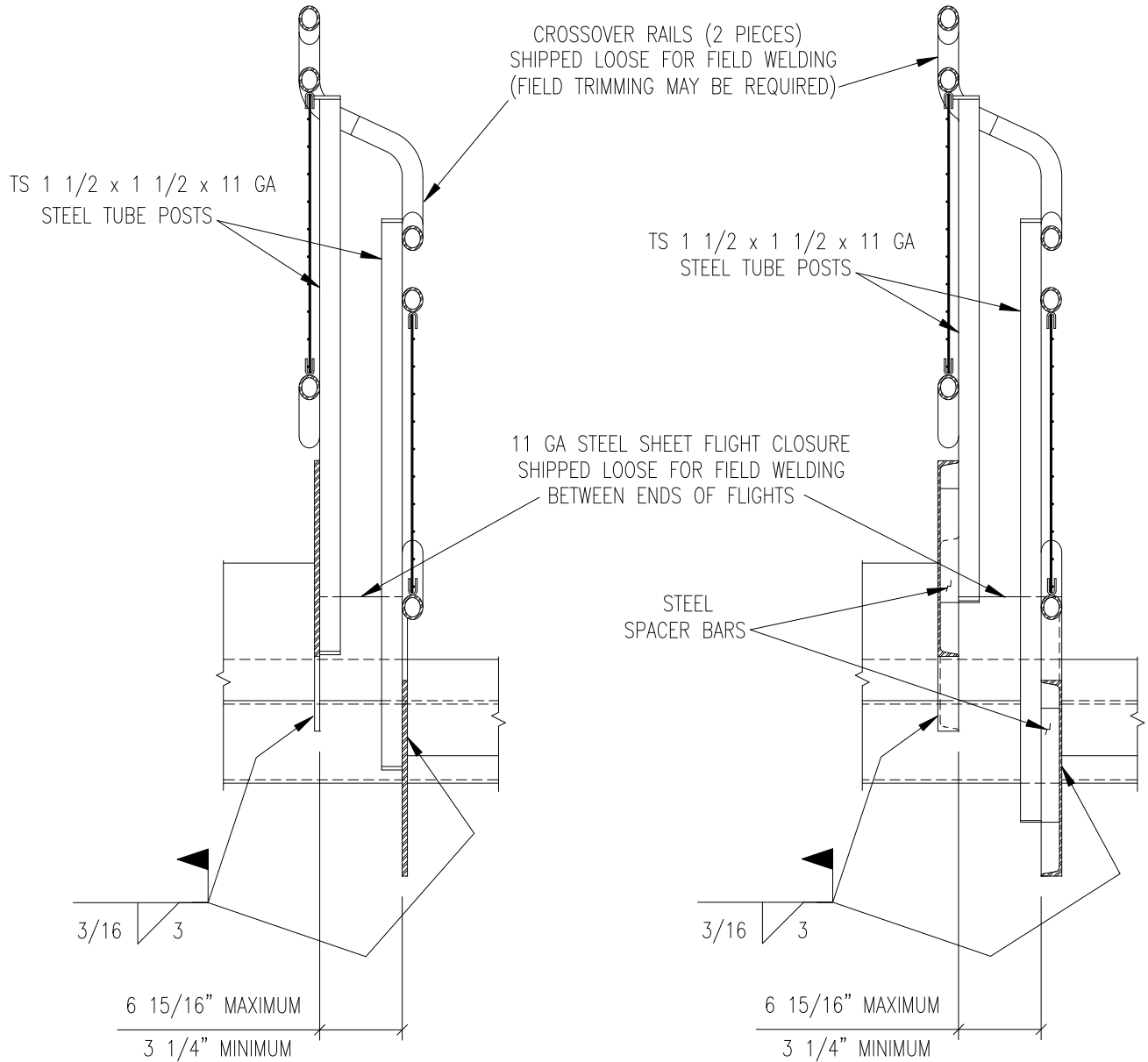


TYPICAL PLAN
AT CROSSOVER RAILS



SECTION C
PLATE STRINGERS

SECTION C
CHANNEL STRINGERS

FOR FURTHER DETAIL PLEASE VISIT WWW.SHARONSTAIR.COM



MESH RAIL TRANSITION AT LANDINGS

SECTION THRU RAILS BETWEEN STAIR FLIGHTS

5TH EDITION

SCALE: 1"=1'-0"

9-27