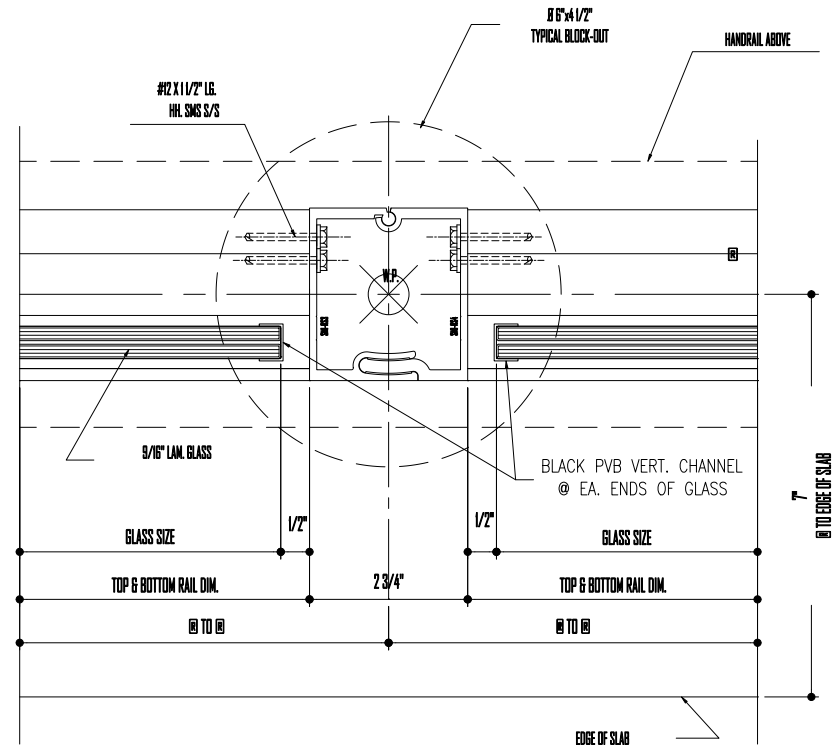


DETAIL

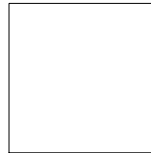


DETAIL



PROJECT NAME:
GLASS RAILING SYST.-CENTERED 9/16" LAM. GL. DETAILS

APPR: A.M.	DRW: L.C.	CHK: A.M.
REV DATE:	DATE: OCT-07	DATE:
REV REPORT NO.:	ZONE REF: SM-RS	SCALE: 8"=1'-0"
SHEET: OF 3 4		



SMI SYSTEMS
WINDOW WALL + ENTRANCE

13305 NW 129 STREET, WEAVER, FLORIDA 32779
PHONE: 305-888-6288 FAX: 305-888-6289