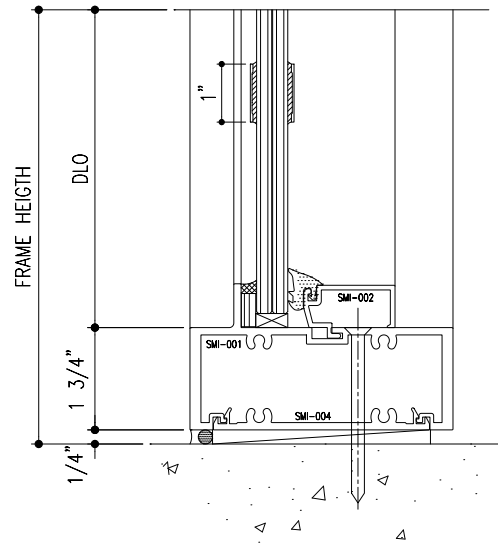


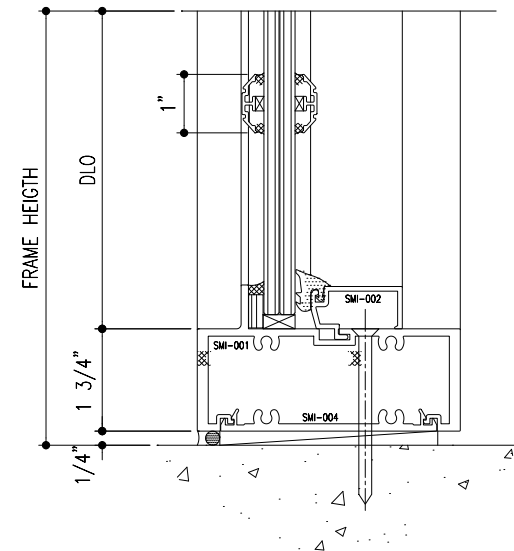
DETAIL  $\frac{8}{4}$

APPLIED MUNTIN W/SMI-033,  
034 AND 035



DETAIL  $\frac{9}{4}$

APPLIED MUNTIN W/ 1/16\"  
FORMED ALUM. PLATE ON  
INTERIOR AND EXTERIOR.



DETAIL  $\frac{10}{4}$

APPLIED MUNTIN W/ FWS-031  
AT THE EXTERIOR AND INTERIOR

PROJECT NAME:

IMPACT SYSTEM DETAILS: SMI-175

APPRD.: A.M.	DRAW BY: L.C.	CHK BY: A.M.
REV. DATE:	DATE: JULY 19-07	DATE:
TEST REPORT NO.:	SERIE TEST: SMI-IMPACT SYSTEM	SCALE: 6" = 1'-0"
SHEET: 4	OF: 4	



SMI SYSTEMS  
WINDOW WALL + ENTRANCE

11305 NW. 128 STREET, MEDLEY, FLORIDA 33178  
PHONE: 305-888-6288 FAX: 305-888-6289