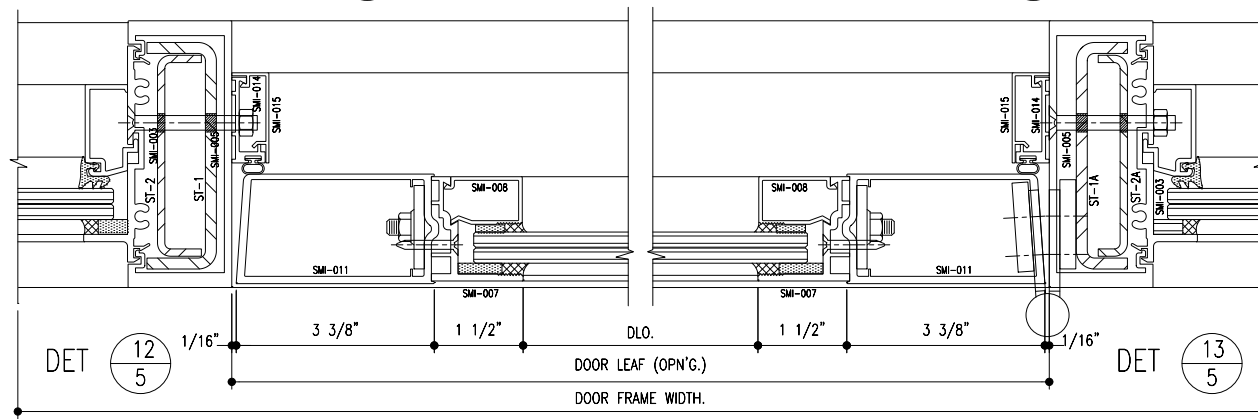


DET 10/5

DET 11/5



DET 12/5

DET 13/5

PROJECT NAME:		LMI GLASS (1/4", .120, 1/4")	
IMPACT SYSTEM DETAILS: SMI-K2LM			
APPRD.: A.M.	DRAW BY: L.C.	CHK BY: A.M.	
REV. DATE:	DATE: JULY 19-07	DATE:	
TEST REPORT NO.:			
SHEET: 5 OF 6	SERIE TEST: SMI-IMPACT SYSTEM	SCALE: 6" = 1'-0"	



SMI SYSTEMS

WINDOW WALL + ENTRANCE

11305 NW. 128 STREET, MEDLEY, FLORIDA 33178
PHONE: 305-888-6288 FAX: 305-888-6289