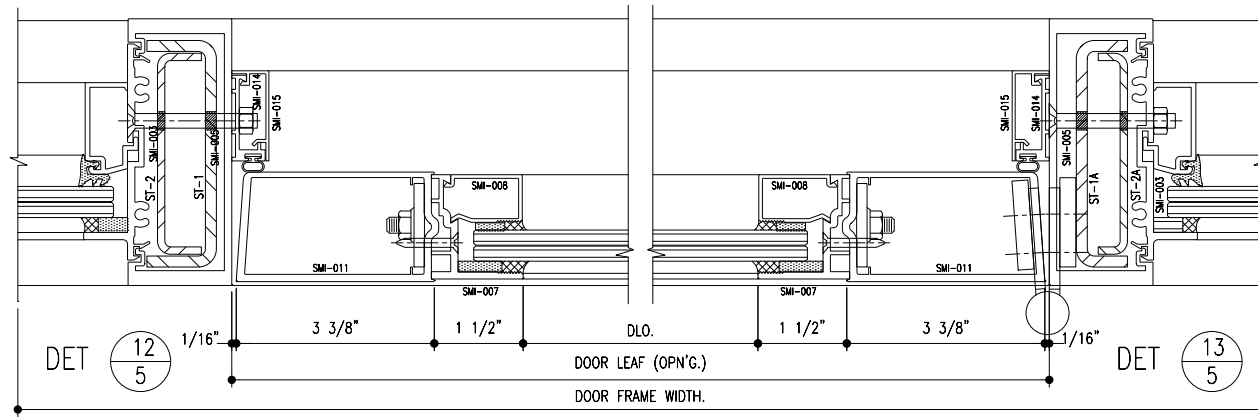


DET $\frac{10}{5}$

DET $\frac{11}{5}$



DET $\frac{12}{5}$

DET $\frac{13}{5}$

PROJECT NAME: IMPACT SYSTEM DETAILS: SMI-K2SM		SMI GLASS (1/4", .060, 1/4")	
APPRD.: A.M.	DRAW BY: L.C.	CHK BY: A.M.	
REV. DATE:	DATE: JULY 19-07	DATE:	
TEST REPORT NO.:			
SHEET: 5 OF 6	SERIE TEST: SMI-IMPACT SYSTEM	SCALE: 6" = 1'-0"	



SMI SYSTEMS WINDOW WALL + ENTRANCE

11305 NW. 128 STREET, MEDLEY, FLORIDA 33178
PHONE: 305-888-6288 FAX: 305-888-6289