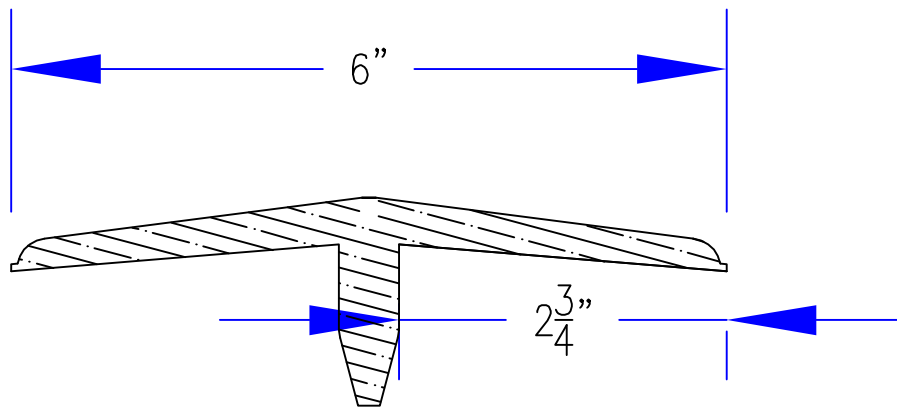




# T-Strip

P.O. BOX 239, 4393 DISCOVERY LINE  
 PETROLIA, ONTARIO  
 NON 1R0  
 PHONE: (800) 263-2363  
 PHONE: (519) 882-8799  
 FAX: (519) 882-2697  
 EMAIL: allinfo@sofsurfaces.com



Critical Height (ft) of SofTILE	Height	Depth	Width	REVISIONS			
				REV	DESCRIPTION	DATE	APPR
3'	1.75"	7.0"	48"	0	ORIGINAL ISSUE	1/14/08	
4'	2.00"	7.0"	48"				
5'	2.25"	7.0"	48"				
6'	2.50"	7.625"	48"				
7'	2.75"	7.625"	48"				
8'	3.75"	12.0"	48"				
10'	4.00"	12.0"	48"				
				SIZE A	FSCM NO.	DWG NO. 2000-001	REV 1
FILE NAME	T-Strip	PREPARED BY	B.GOSS	SCALE	NTS	SHEET	SK15