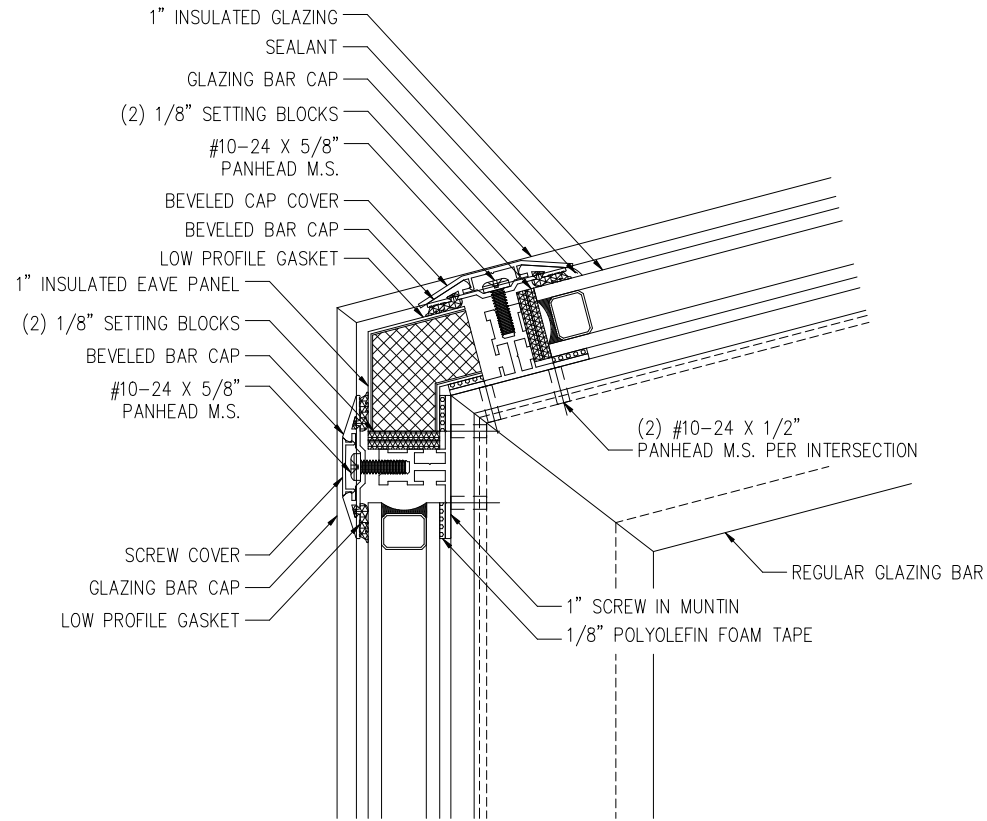


# 4 1/2" Aluminum System

Scale: 1/2" = 1"



○ EAVE