

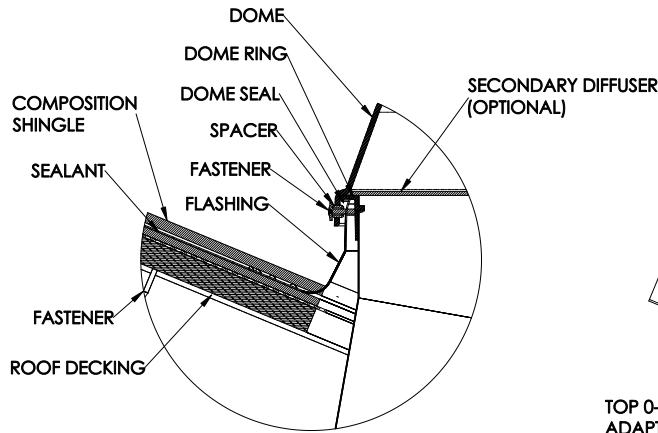
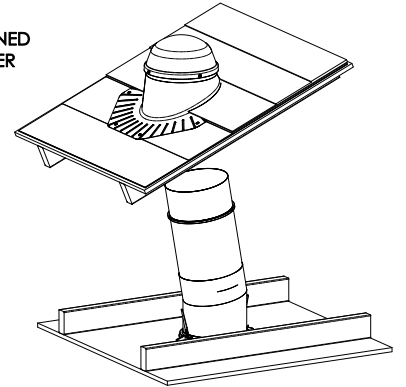
8 7 6 5 4 3 2 1

REVISIONS				
ECO	REV.	DESCRIPTION	DATE	INC.
	A	RELEASED	2/27/2004	

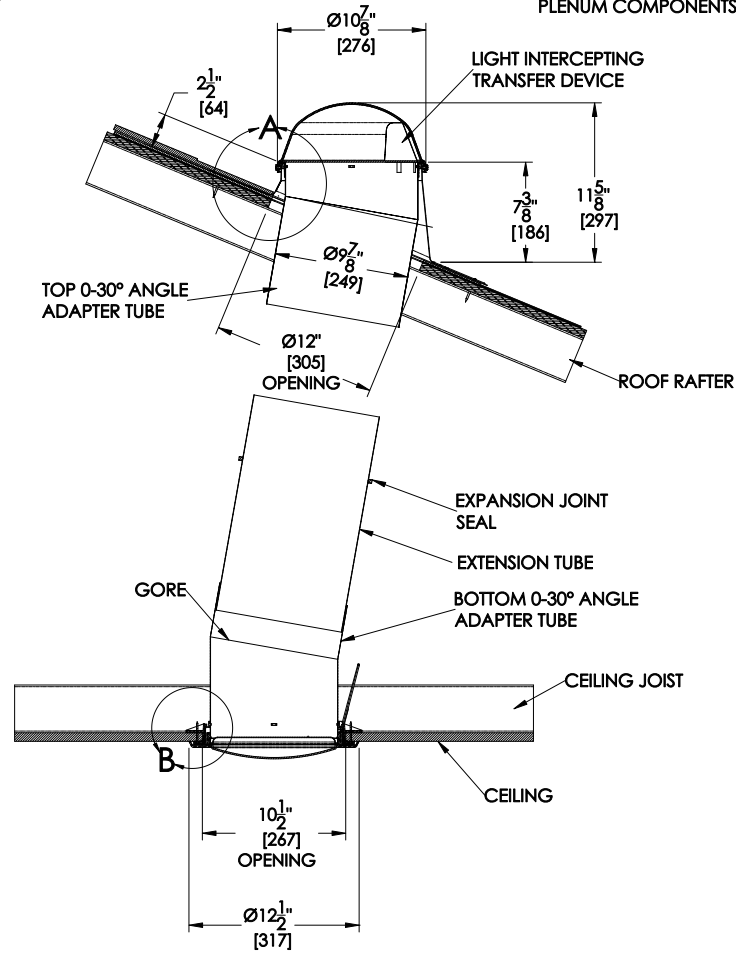
### 10" SOLATUBE PITCHED SELF FLASHING HARD CEILING

**NOTES:**

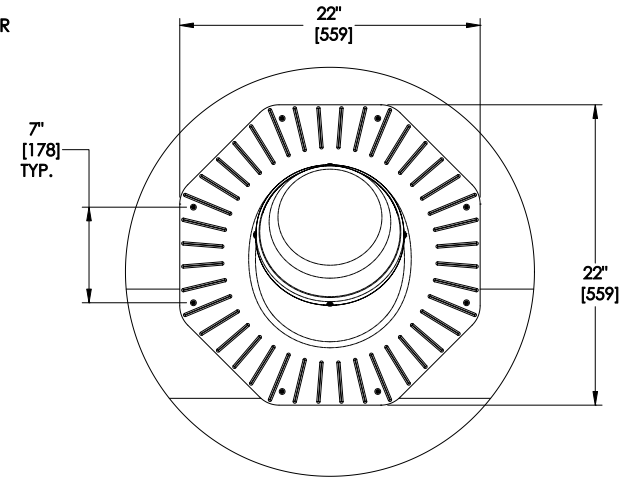
1. DIMENSIONS IN BRACKETS ARE METRIC UNLESS OTHERWISE SPECIFIED.
2. 6" MINIMUM CLEARANCE SHOULD BE MAINTAINED FROM ALL SOLATUBE COMPONENTS AND OTHER PLENUM COMPONENTS.



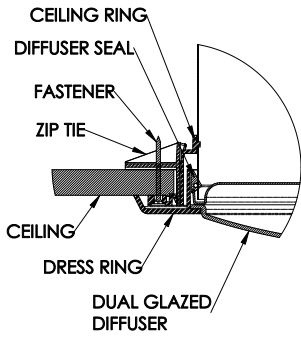
**DETAIL A  
SCALE 3 : 1**



**FULL SECTION  
SCALE 1:1**



**TOP VIEW  
SCALE 1:1**



**DETAIL B  
SCALE 3 : 1**

UNLESS OTHERWISE SPECIFIED: DIMENSIONS ARE IN INCHES TOLERANCES: ANGULAR: ±0.5° X ±.1 XX ±.02		SOLATUBE INTERNATIONAL, INC. COPYRIGHT 2002 WWW.SOLATUBE.COM		TITLE: <b>10" PITCHED SELF FLASHING HARD CEILING</b>	
MATERIALS: ±.005	DRAWN BY: STEVENS	DATE: 2/23/04	FINISH:	CHECKED BY:	DATE:
DO NOT SCALE DRAWING	APPROVED BY:	DATE:	SIZE: <b>D</b>	DWG. NO.: <b>10-HC-SFP</b>	REV: <b>A</b>
			SCALE: 1:1		SHEET 1 OF 1

8 7 6 5 4 3 2 1