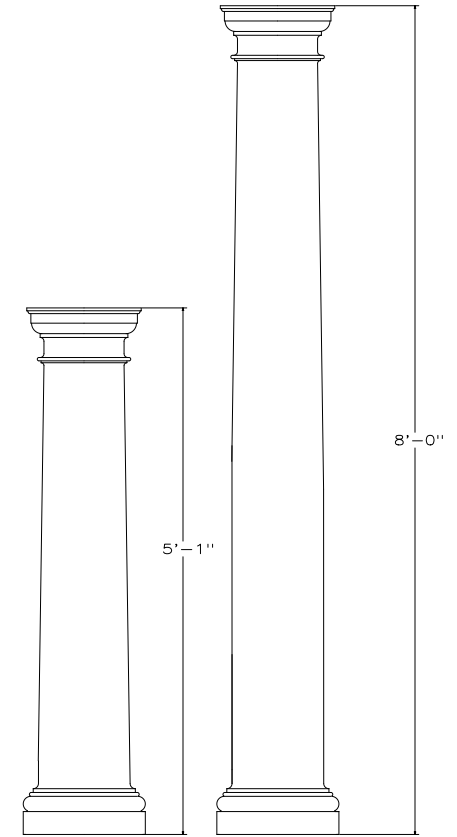
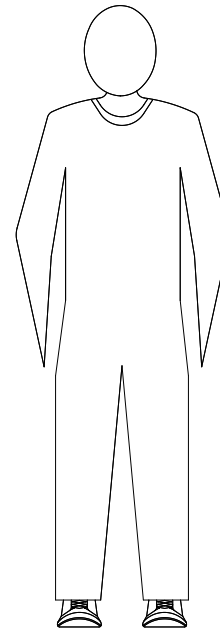
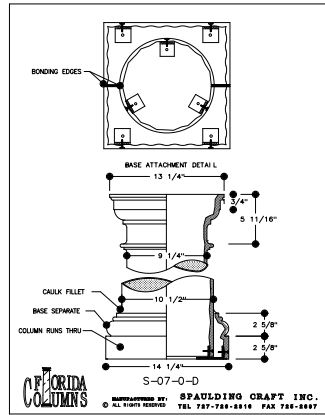
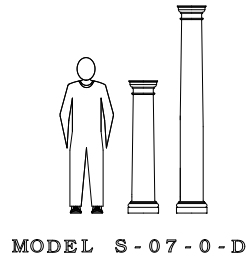
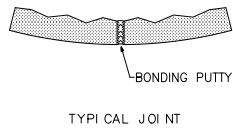
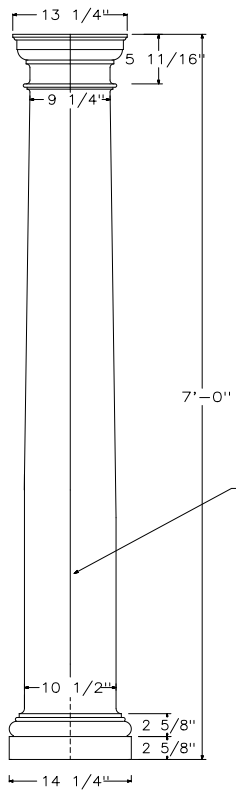


COLUMN	Doric	S-07-0-D
Height Range	5'-1" to 8'-0"	
Capital	13 1/4"sq.	
Base	14 1/4"sq. seperate	
Throat	9 1/4" di am	
Shaft	10 1/2" di am	
Column is molded in halves		
Shipping weight approx.	65 lb.	



FLORIDA
COLUMNS

MANUFACTURED BY:
ALL RIGHTS RESERVED

SPALDING CRAFT INC.
TEL 727-726-2916 FAX 725-2897

FLORIDA
COLUMNS

MANUFACTURED BY:
ALL RIGHTS RESERVED

SPALDING CRAFT INC.
TEL 727-726-2916 FAX 725-2897