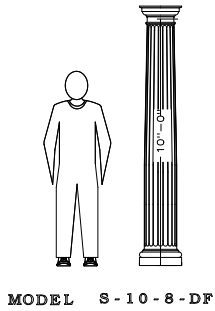
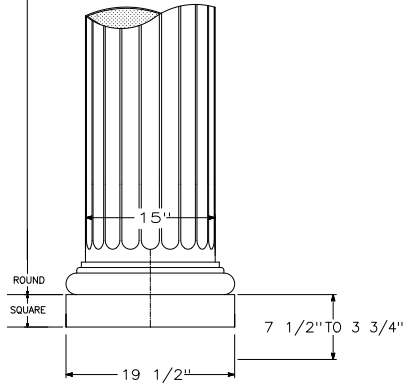
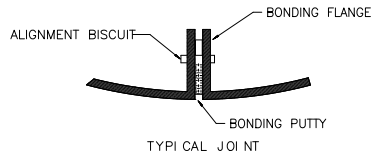
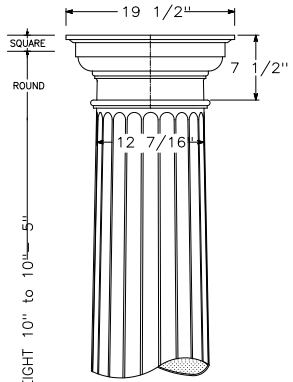


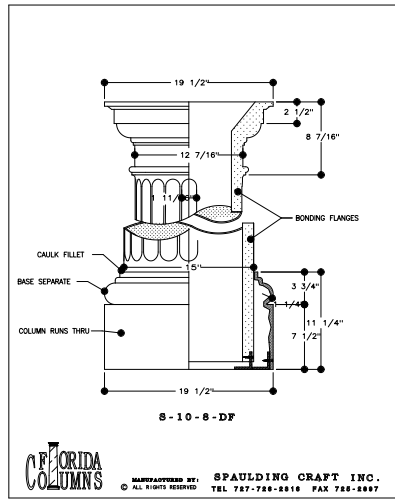
COLUMN	Doric	S-10-8-DF
Height	10' TO 10'-5"	
Capital	19 1/2"	
Base	19 1/2"	
Throat	12 7/16"	
Shaft	15"	
Column is molded in halves		
Bonding flanges continuous		
Shipping weight approx. 90 lb.		



CF FLORIDA COLUMNS

MANUFACTURED BY:
© ALL RIGHTS RESERVED

SPAULDING CRAFT INC.
TEL 727-726-2916 FAX 725-2897



CF FLORIDA COLUMNS

MANUFACTURED BY:
© ALL RIGHTS RESERVED

SPAULDING CRAFT INC.
TEL 727-726-2916 FAX 725-2897

