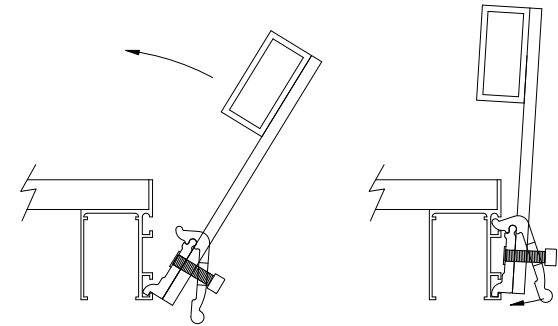
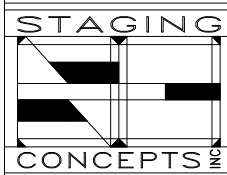


ATTACHMENT
ASSEMBLY

FRONT VIEW



ATTACHMENT DETAIL



CORPORATE OFFICE
7008 Northland Dr. Suite 150
Brooklyn Park, Minnesota 55428
PH: (763) 533-2094
MATERIAL

TITLE
**CHAIR STOP
ASSEMBLY**

THIS DRAWING IS THE PROPERTY OF STAGING CONCEPTS, INC AND IS FURNISHED ON A CONFIDENTIAL BASIS. NEITHER THE DRAWING NOR ITEMS THERON ARE TO BE REPRODUCED OR USED IN ANY MANNER NOT AUTHORIZED BY STAGING CONCEPTS AND IS LOANED SUBJECT TO RETURN ON DEMAND

△ ITEM	DATE	DESCRIPTION OF CHANGE	AUTH.
	DR. BY	DATE	PROJECT
	SCALE		PROJECT
	UNSPECIFIED TOLERANCES ARE TO BE		NUMBER
	LINEAR	ANGULAR	