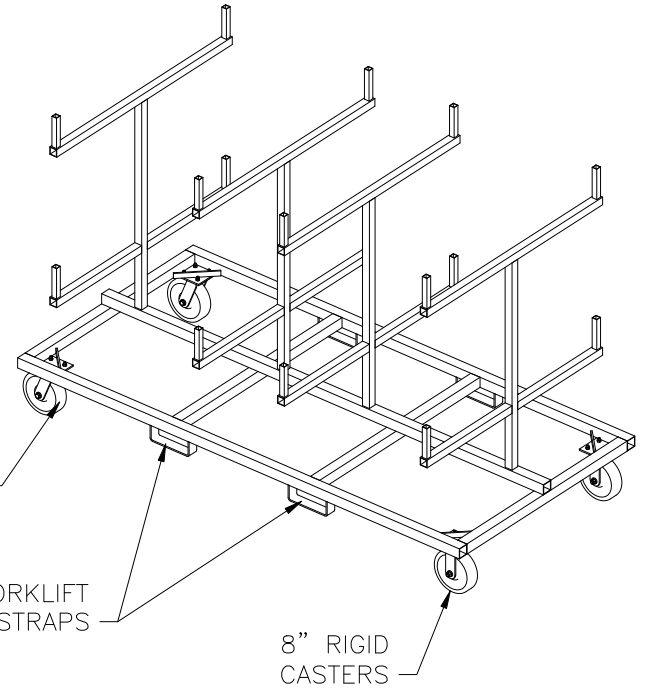


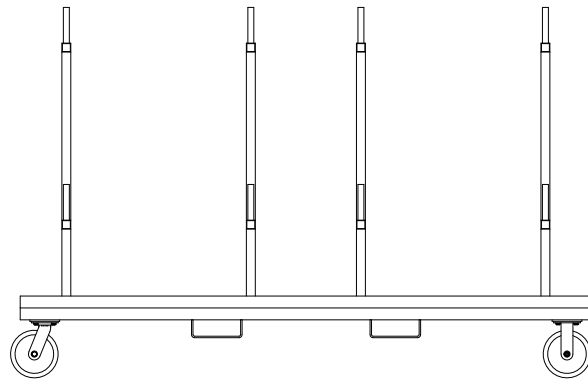
**TOP VIEW**



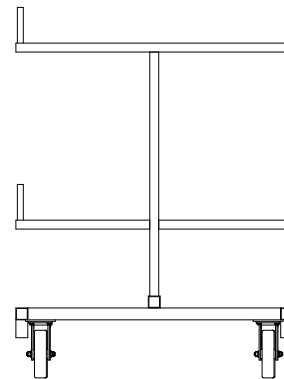
8" SWIVEL  
CASTERS

OPTIONAL FORKLIFT  
STRAPS

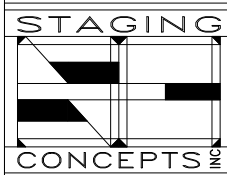
8" RIGID  
CASTERS



**SIDE VIEW**



**END VIEW**



**CORPORATE OFFICE**  
7008 Northland Dr. Suite 150  
Brooklyn Park, Minnesota 55428  
PH: (763) 533-2094

MATERIAL

TITLE  
**SC100  
STORAGE  
CART**

THIS DRAWING IS THE PROPERTY OF STAGING CONCEPTS, INC AND IS FURNISHED ON A CONFIDENTIAL BASIS. NEITHER THE DRAWING NOR ITEMS THERON ARE TO BE REPRODUCED OR USED IN ANY MANNER NOT AUTHORIZED BY STAGING CONCEPTS AND IS LOANED SUBJECT TO RETURN ON DEMAND

ITEM	DATE	DESCRIPTION OF CHANGE	AUTH.
	DR. BY	DATE	PROJECT
	SCALE		PROJECT
	UNSPECIFIED TOLERANCES ARE TO BE		NUMBER
	LINEAR	ANGULAR	