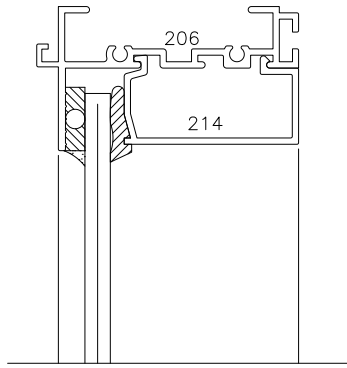
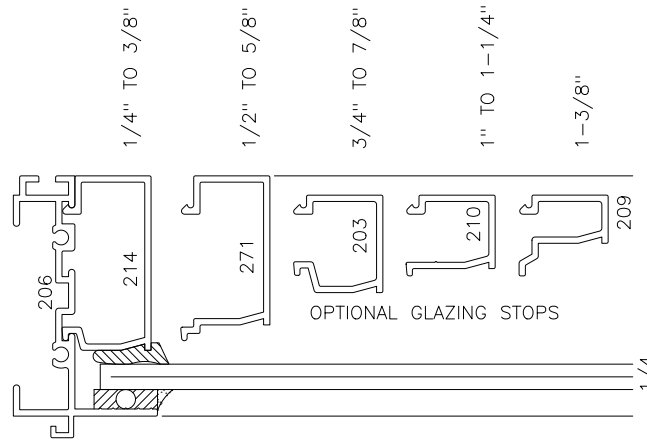
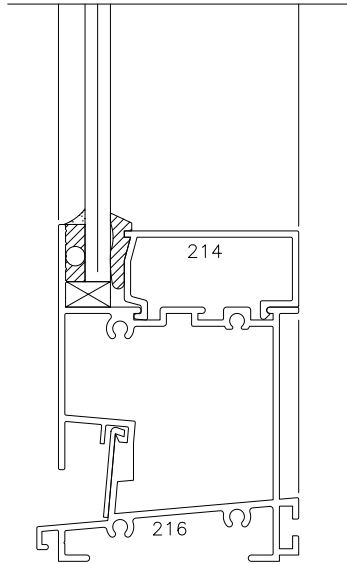


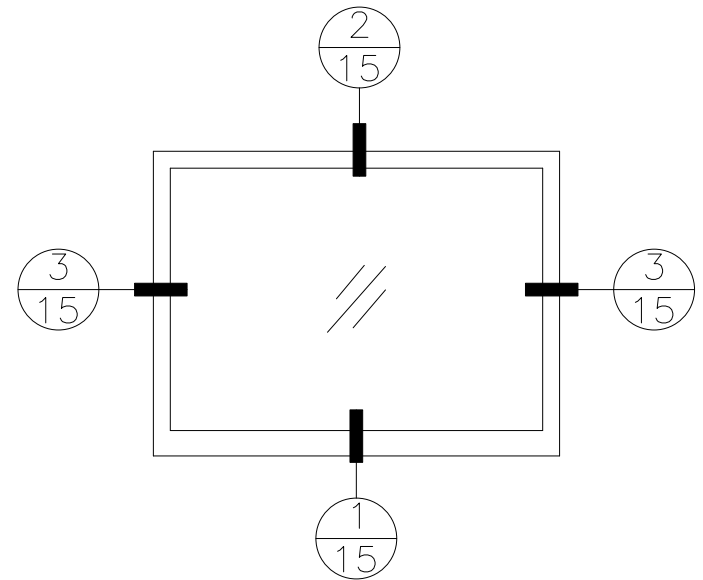
2
15



1
15



3
15



SCW
ST.CLOUD WINDOW, INC.

PO Box 1577 St. Cloud, MN 56302
Ph:(320) 251-9311 Fax:(320) 255-1513

**660 SERIES FIXED WINDOW
W/OPTIONAL GLAZING STOPS**

SCALE: HALF

Sec: 3
Page: 15