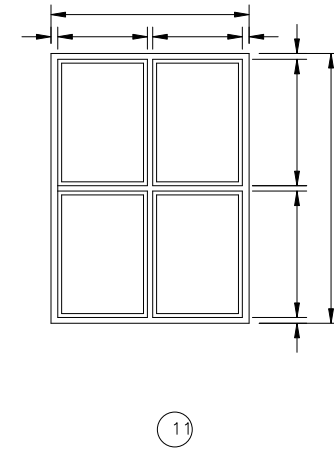
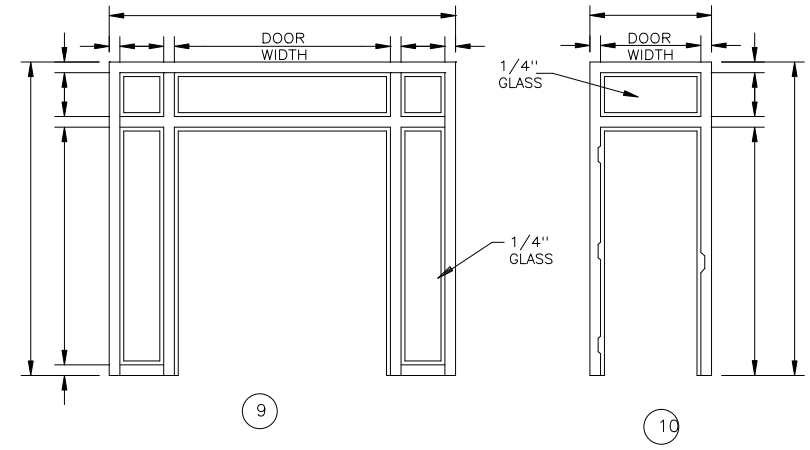


FRAME ELEVATIONS



FRAME ELEVATIONS CON'T