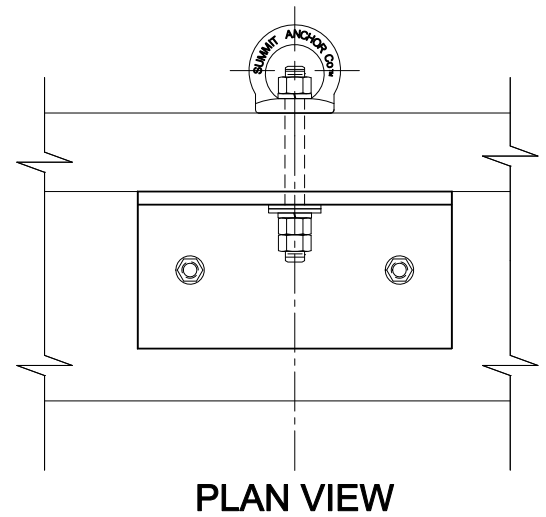
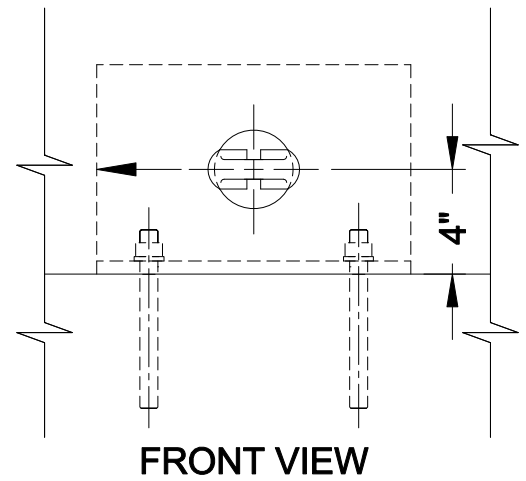
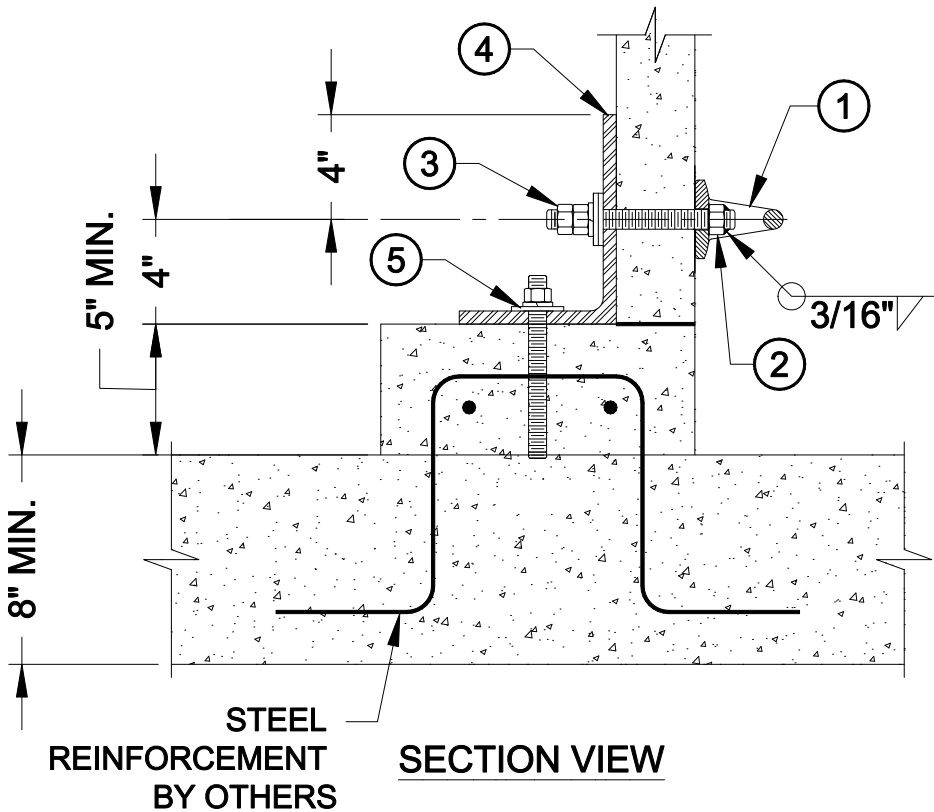


Bolt Through Curb Anchor

Summit Models: SM-PLT-AG-68, SM-TRA-ADH-7, SM-EYE, SM-TRA



SM-EYE

- ① FORGED PAD EYE, QUENCHED AND TEMPERED, (ALSO AVAILABLE IN 304 STAINLESS STEEL, ANNEALED) HOT-DIPPED GALVANIZED AFTER FABRICATION.

SM-TRA

- ② 3/4"Ø 304 B8 STAINLESS STEEL THREADED RODS WELDED TO 304 F594 STAINLESS STEEL HEX NUT.
- ③ 3/4"Ø 304 B8 STAINLESS STEEL THREADED RODS, (2) GALVANIZED FLAT WASHERS, (1) 18-8 STAINLESS STEEL LOCK WASHER, & (2) 304 F594 STAINLESS STEEL HEX NUTS.

SM-PLT-AG-68

- ④ L6" X 8" X 1/2"

(2) SM-TRA-ADH-7

- ⑤ GALVANIZED FLAT WASHERS AND 5/8"Ø HILTI HVA ADHESIVE ANCHOR SYSTEMS, USING 304 B8 STAINLESS STEEL HEAVY HEX NUTS, THREADED RODS, AND STAINLESS STEEL LOCK WASHERS. (THREADS DEFORMED AFTER INSTALLATION).