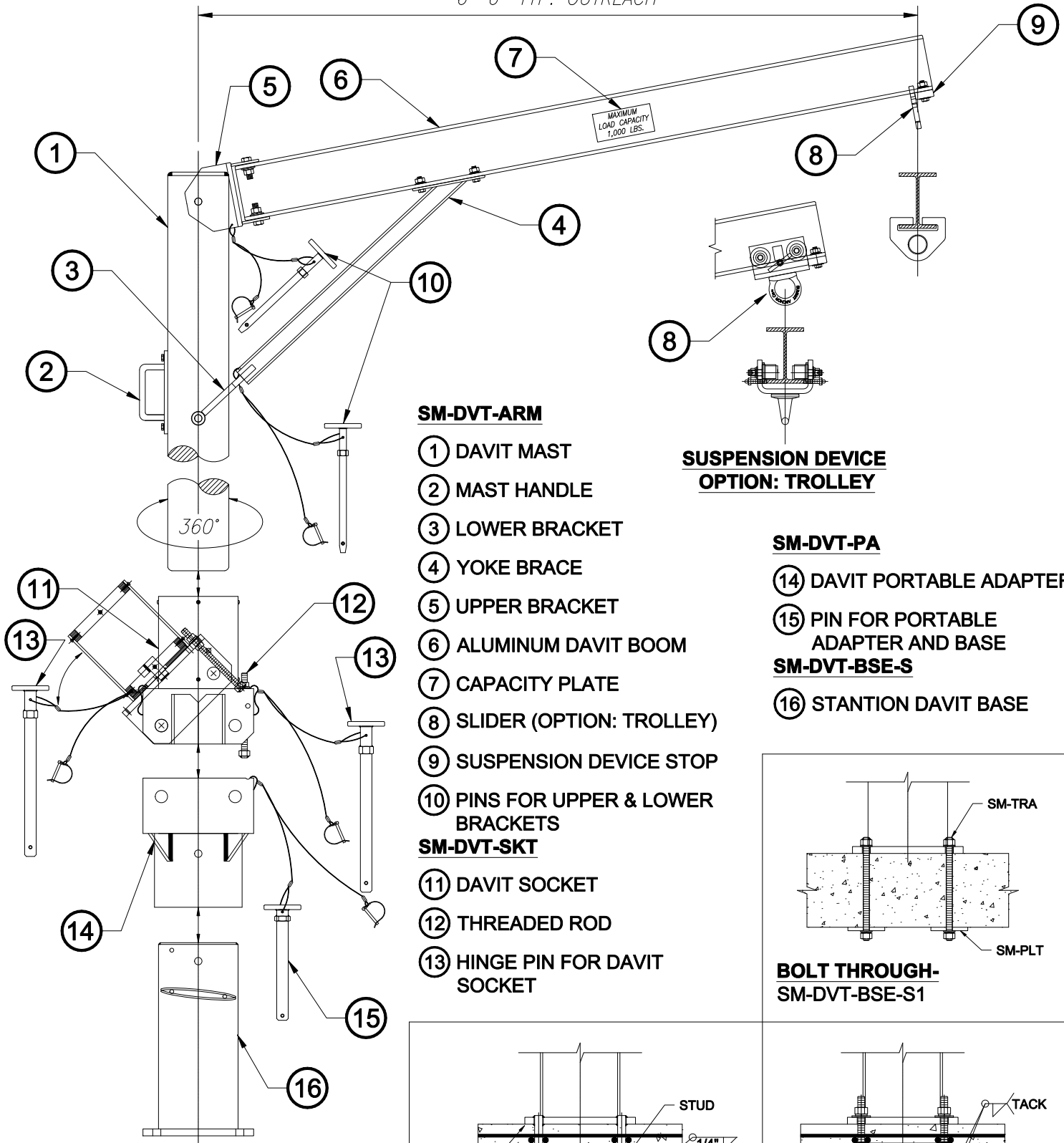


Davit Assembly with Stanchion Davit Base

Summit Models: SM-DVT-ARM, SM-SKT, SM-PA, SM-DVT-BSE-S

6'-6" TYP. OUTREACH



SM-DVT-ARM

- ① DAVIT MAST
- ② MAST HANDLE
- ③ LOWER BRACKET
- ④ YOKE BRACE
- ⑤ UPPER BRACKET
- ⑥ ALUMINUM DAVIT BOOM
- ⑦ CAPACITY PLATE
- ⑧ SLIDER (OPTION: TROLLEY)
- ⑨ SUSPENSION DEVICE STOP
- ⑩ PINS FOR UPPER & LOWER BRACKETS

SM-DVT-SKT

- ⑪ DAVIT SOCKET
- ⑫ THREADED ROD
- ⑬ HINGE PIN FOR DAVIT SOCKET

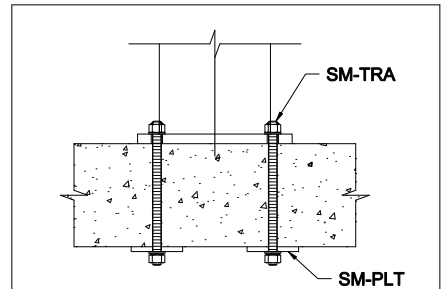
SUSPENSION DEVICE OPTION: TROLLEY

SM-DVT-PA

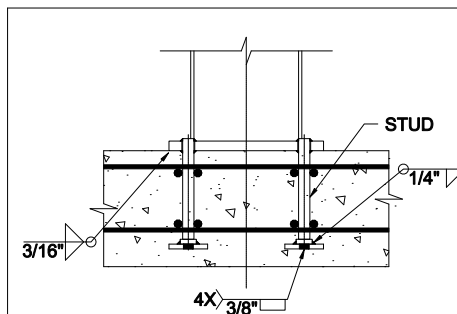
- ⑭ DAVIT PORTABLE ADAPTER
- ⑮ PIN FOR PORTABLE ADAPTER AND BASE

SM-DVT-BSE-S

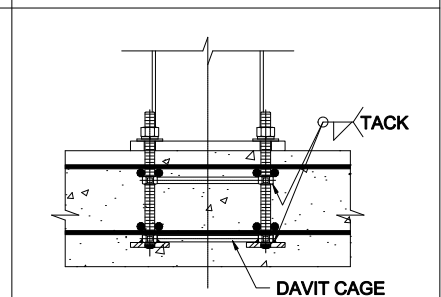
- ⑯ STANCHION DAVIT BASE



BOLT THROUGH- SM-DVT-BSE-S1



CAST IN PLACE WITH STUDS- SM-DVT-BSE-S5



CAST IN PLACE WITH CAGE- SM-DVT-BSE-S1 & SM-DVT-CGE