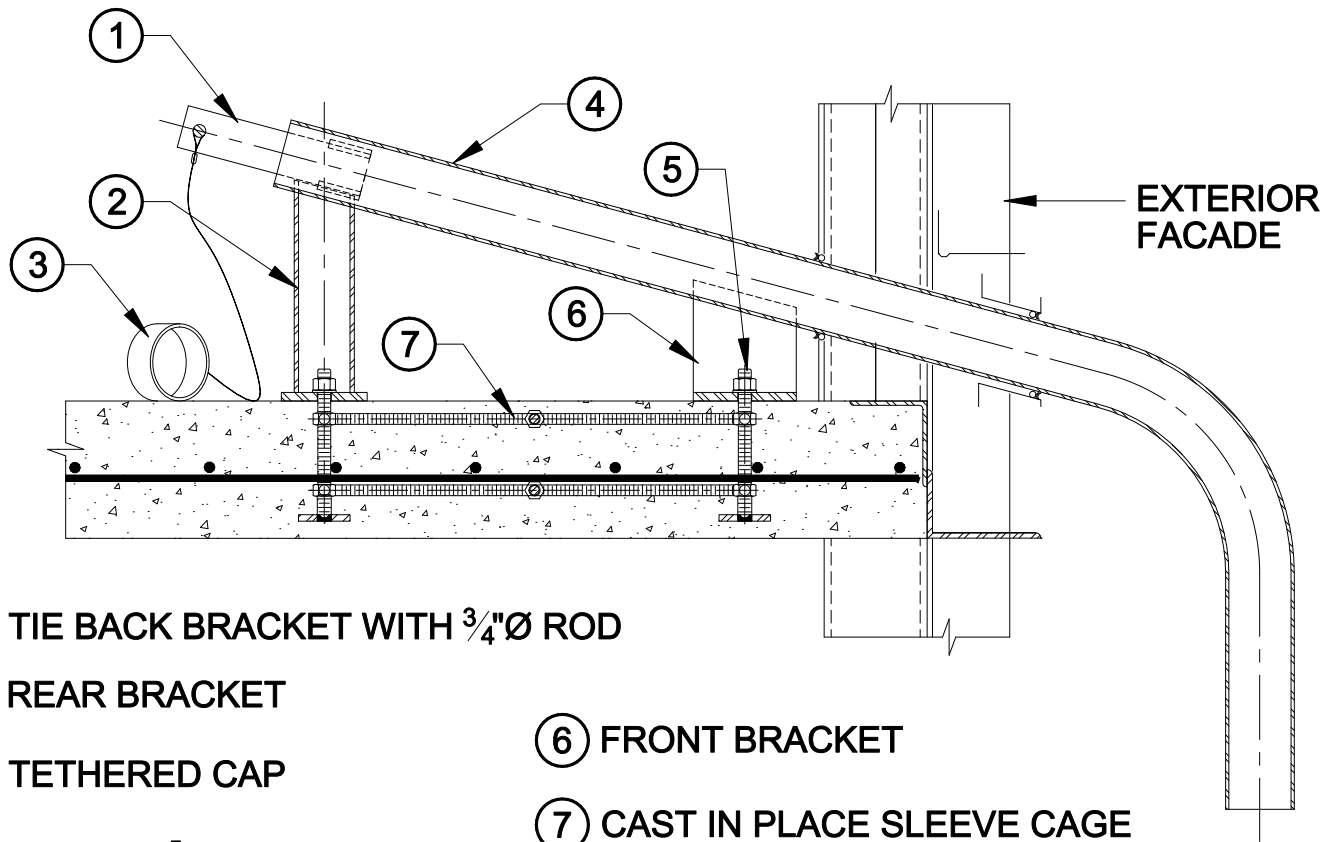


# Curved Rigging Sleeve Options

Summit Model #SM-RS-L



① TIE BACK BRACKET WITH  $\frac{3}{4}$ "  $\varnothing$  ROD

② REAR BRACKET

③ TETHERED CAP

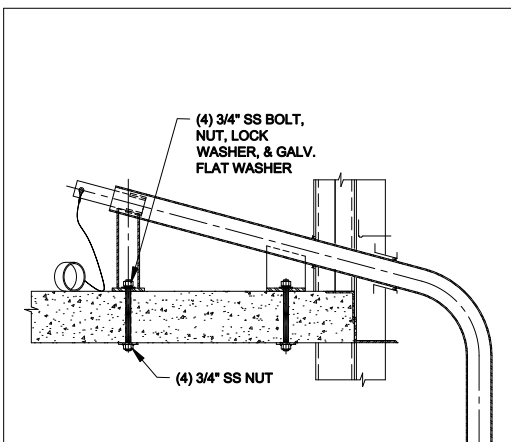
④ 4" O.D. X  $\frac{5}{16}$ " WALL HSS

⑥ FRONT BRACKET

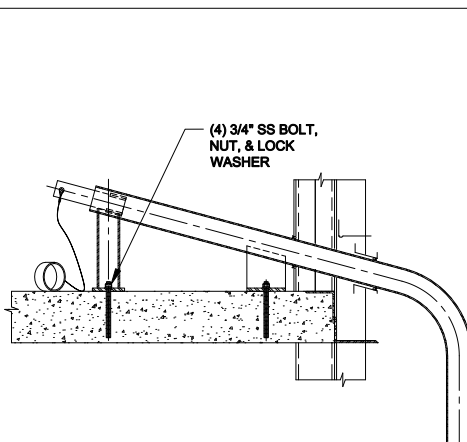
⑦ CAST IN PLACE SLEEVE CAGE

⑤ (4)  $\frac{3}{4}$ "  $\varnothing$  STAINLESS STEEL MOUNTING BOLTS WITH 304 B8 STAINLESS STEEL HEX NUT, STAINLESS STEEL LOCK WASHER, AND GALVANIZED FLAT WASHER

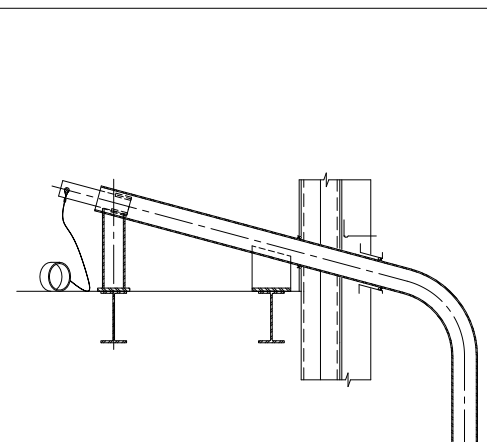
**CAST IN PLACE-SM-RS-L5**



**BOLT THROUGH-SM-RS-L1**



**EPOXY MOUNTED-SM-RS-L1**



**WELD TO BEAM-SM-RS-L4**