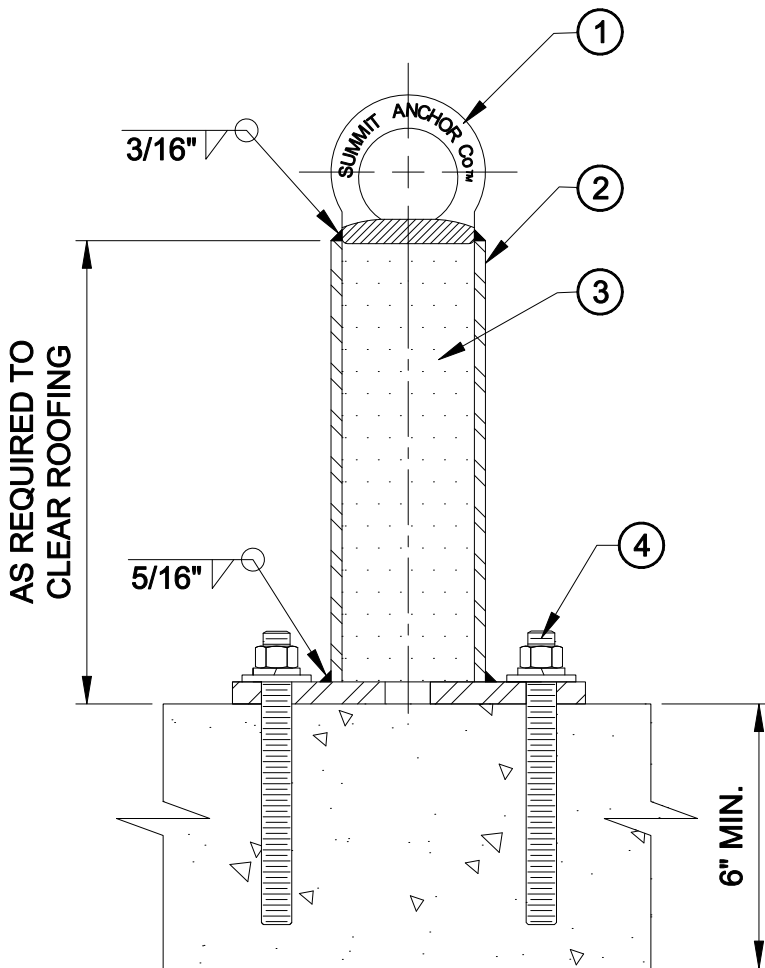


# Roof Anchor Mounted with Chemical Anchor Fasteners

Summit Models: SM-1, SM-TRA-ADH-7



## **SM-1**

- ① FORGED PAD EYE, QUENCHED AND TEMPERED, (ALSO AVAILABLE IN 304 STAINLESS STEEL, ANNEALED) WELDED TO HSS. ENTIRE ANCHOR HOT-DIPPED GALVANIZED AFTER FABRICATION.
- ② HSS WELDED TO BASE PLATE. BASE PLATE SIZE AND ANCHOR HEIGHT TO SUIT APPLICATION.

## **SM-FOM** (RECOMMENDED OPTION)

- ③ POLYURETHANE FOAM RESISTS TEMPERATURE LOSS AND CONDENSATION.

## **(4) SM-TRA-ADH-7**

- ④ GALVANIZED FLAT WASHERS AND 5/8"Ø HILTI HVA ADHESIVE ANCHOR SYSTEMS, USING 304 B8 STAINLESS STEEL HEAVY HEX NUTS, THREADED RODS, AND STAINLESS STEEL LOCK WASHERS. (THREADS DEFORMED AFTER INSTALLATION).