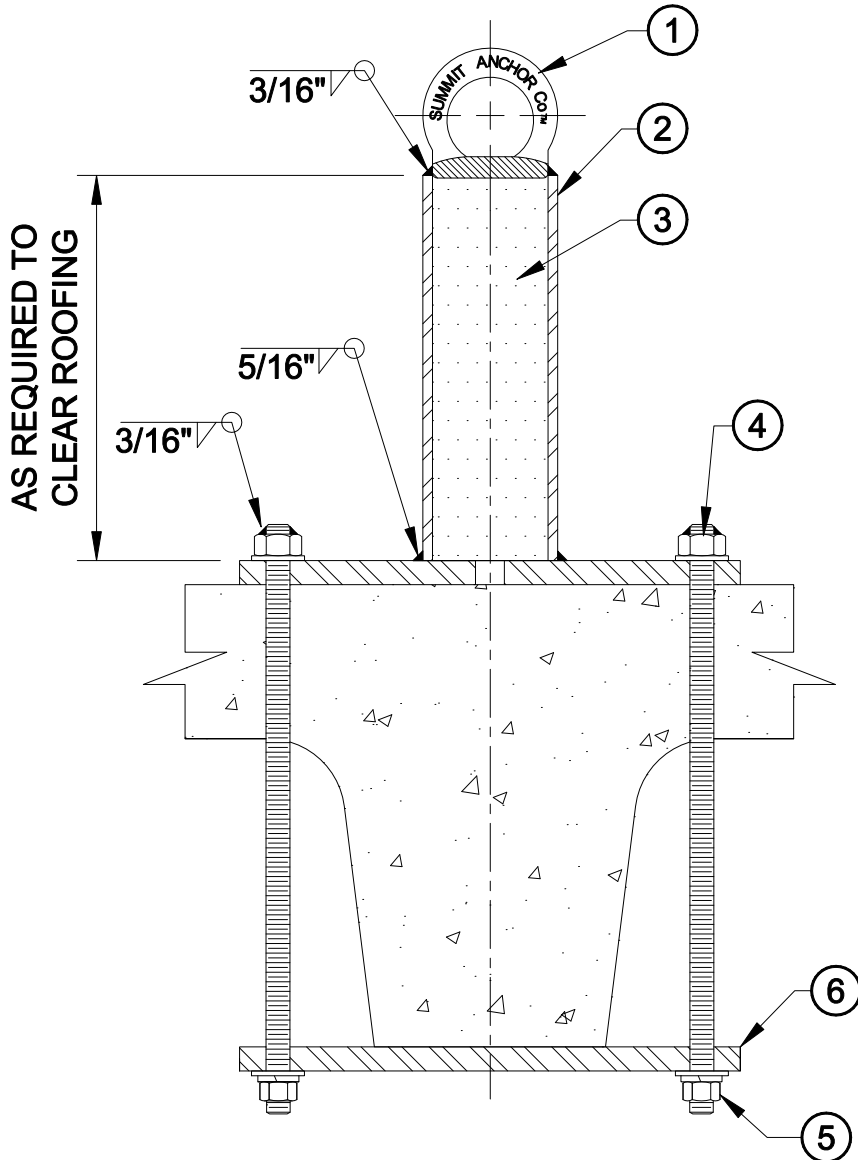


Roof Anchor Wrapped around Concrete Beam

Summit Models: SM-1, SM-TRA, SM-PLT



SM-1

- ① FORGED PAD EYE, QUENCHED AND TEMPERED, (ALSO AVAILABLE IN 304 STAINLESS STEEL, ANNEALED) WELDED TO HSS. ENTIRE ANCHOR HOT-DIPPED GALVANIZED AFTER FABRICATION.
- ② HSS WELDED TO BASE PLATE. BASE PLATE SIZE AND ANCHOR HEIGHT TO SUIT APPLICATION.

SM-FOM (RECOMMENDED OPTION)

- ③ POLYURETHANE FOAM RESISTS TEMPERATURE LOSS AND CONDENSATION.

(4) SM-TRA

- ④ 5/8"Ø 304 B8 STAINLESS STEEL THREADED RODS WELDED TO 304 B8 STAINLESS STEEL HEAVY HEX NUTS, AND GALVANIZED FLAT WASHERS.
- ⑤ 5/8" GALVANIZED FLAT WASHERS, STAINLESS STEEL LOCK WASHERS, AND 304 B8 STAINLESS STEEL HEAVY HEX NUTS

SM-PLT

- ⑥ BOTTOM PLATE TO FIT BEAM