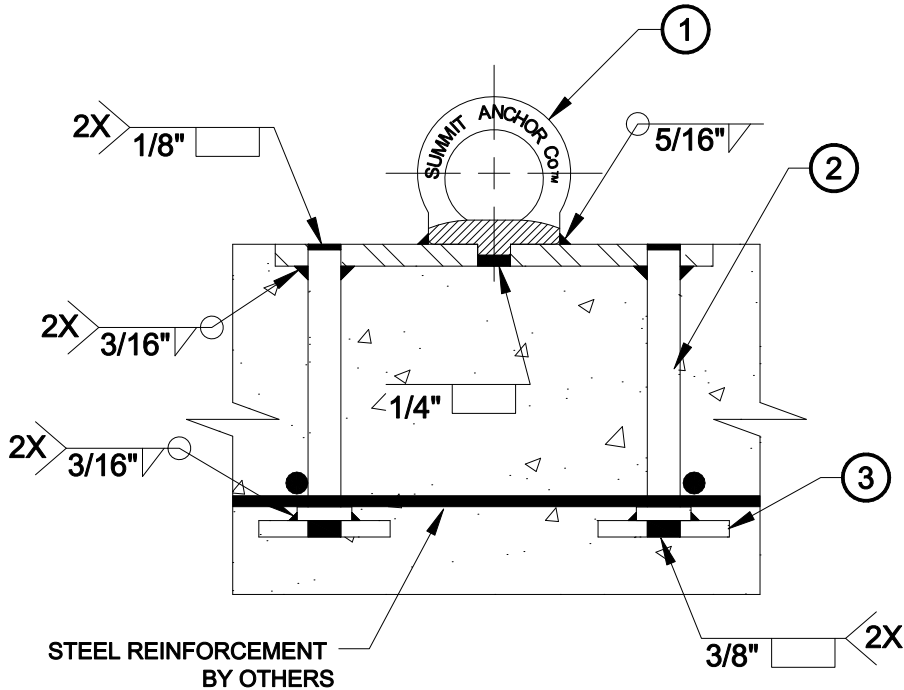
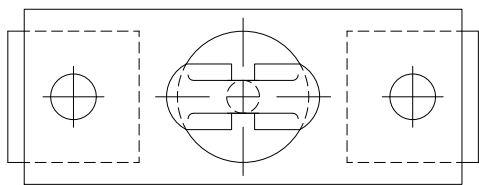


# Cast In Place Wall Anchor

## Summit Model #SM-85-4



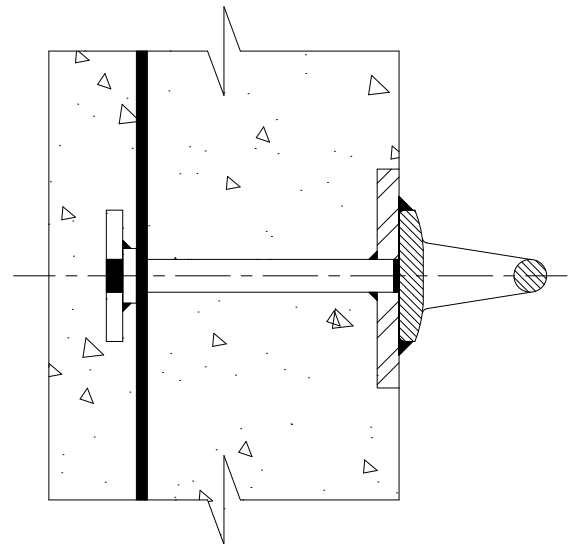
PLAN VIEW



FRONT VIEW

### SM-85-4

- ① FORGED PAD EYE, QUENCHED AND TEMPERED, (ALSO AVAILABLE IN 304 STAINLESS STEEL, ANNEALED) WELDED TO BASE PLATE. ENTIRE ANCHOR HOT-DIPPED GALVANIZED AFTER FABRICATION.
- ② (2) 6-3/16" X 3/4" STUDS WELDED TO 10" X 4" X 1/2" BASE PLATE.
- ③ (2) 3" X 3" X 3/8" PLATES WELDED TO STUDS.



SECTION VIEW