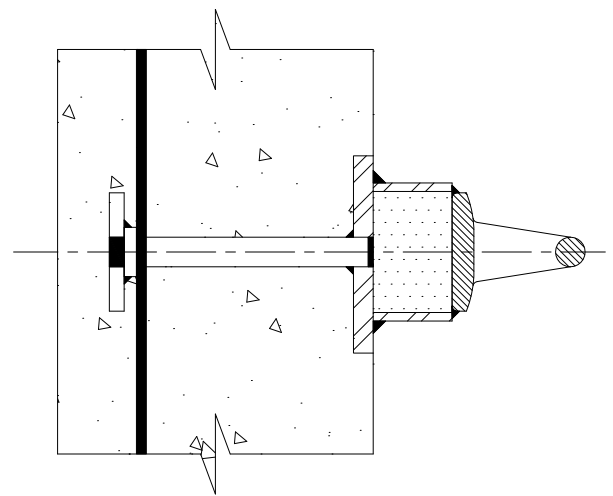
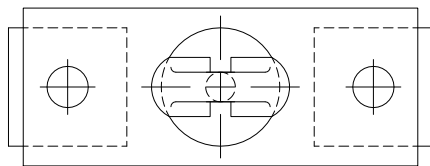
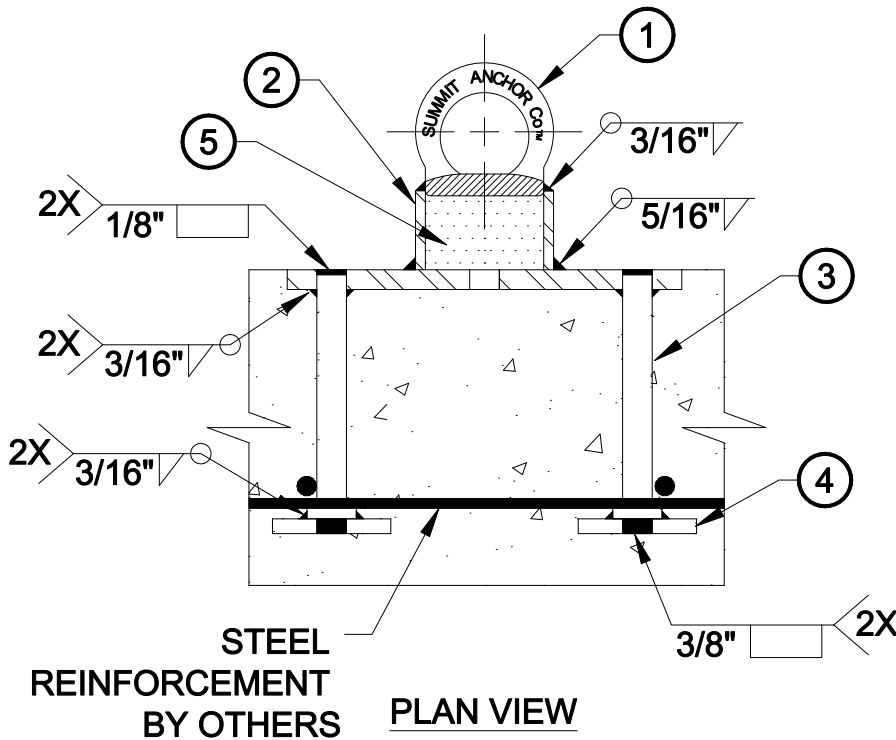


Cast in Place Wall Anchor with HSS

Summit Model #SM-85-4



SM-85-4

- ① FORGED PAD EYE, QUENCHED AND TEMPERED, (ALSO AVAILABLE IN 304 STAINLESS STEEL, ANNEALED) WELDED TO HSS. ENTIRE ANCHOR HOT-DIPPED GALVANIZED AFTER FABRICATION.
- ② $3\frac{1}{2}$ " \varnothing X 0.216" HSS (MAX. HEIGHT OF 4") WELDED TO BASE PLATE SET FLUSH WITH CONCRETE.
- ③ (2) 6-3/16" X 3/4" STUDS WELDED TO 10" X 4" X 1/2" BASE PLATE.
- ④ (2) 3" X 3" X 3/8" PLATES WELDED TO STUDS.

SM-FOM (RECOMMENDED OPTION)

- ⑤ POLYURETHANE FOAM RESISTS TEMPERATURE LOSS AND CONDENSATION.