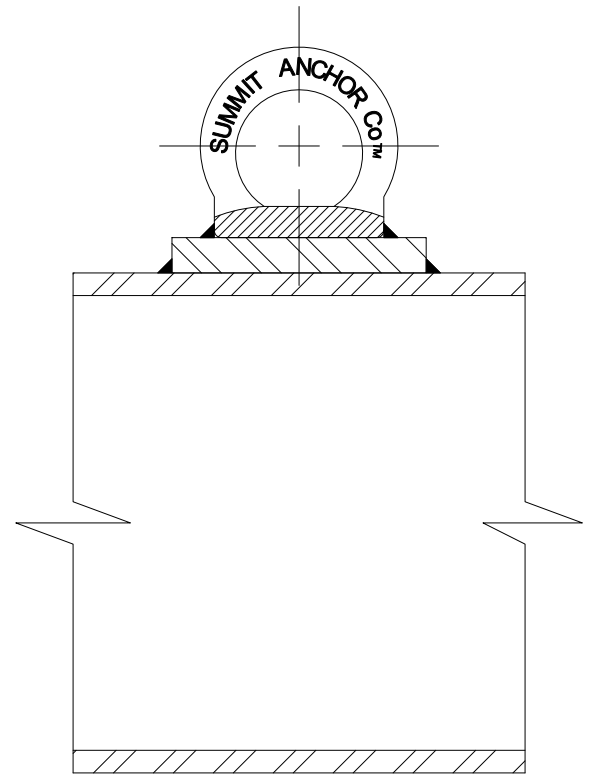


Wall Anchor Welded to Steel Column

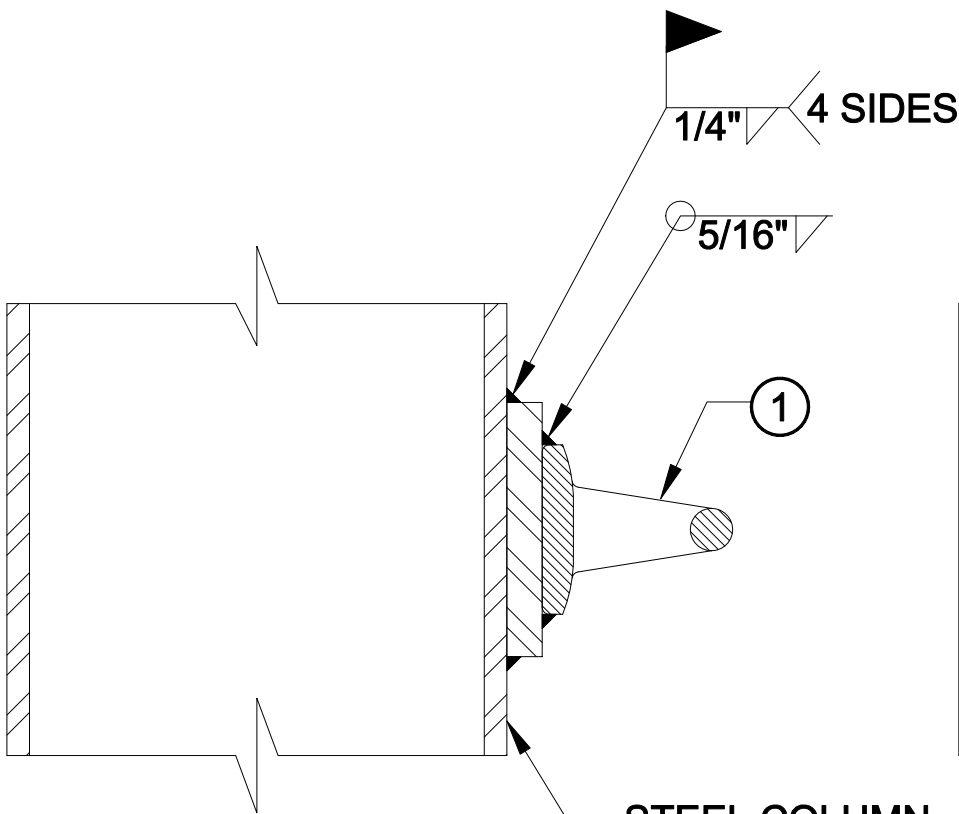
Summit Model #SM-84-4

SM-84-4

- ① FORGED PAD EYE, QUENCHED AND TEMPERED, (ALSO AVAILABLE IN 304 STAINLESS STEEL, ANNEALED) WELDED TO 4-1/2" x 4-1/2" x 1/2" PLATE. ENTIRE ANCHOR HOT-DIPPED GALVANIZED AFTER FABRICATION.

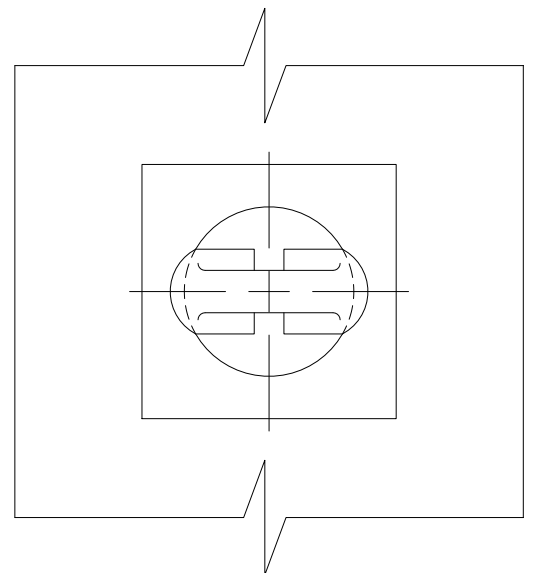


PLAN VIEW



SECTION VIEW

STEEL COLUMN



FRONT VIEW