

LEGEND TACO PART NUMBERS:

1 1/2" O.D. SYSTEM

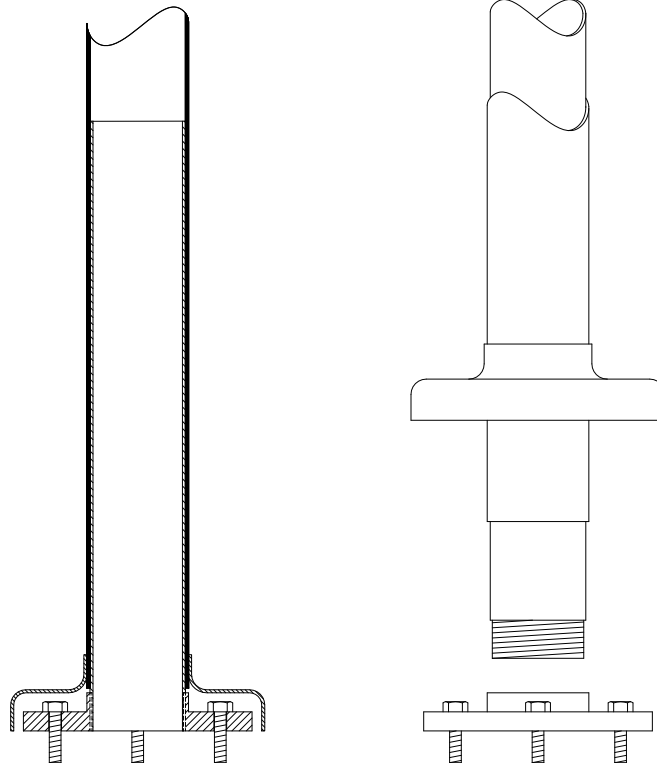
- ① S14-1260PM20 (POLISHED) S14-1260LS20 (BRUSHED) TUBE
- ② F10-5071PM (POLISHED) F10-5071LS (BRUSHED) BASE PLATE/ FLANGE CANOPY
- ③ F10-5161PM (POLISHED) F10-5161LS (BRUSHED) 90° SIDE TEE
- ④ F10-5141PM (POLISHED) F10-5141LS (BRUSHED) 90° ELBOW
- ⑤ F10-5151PM (POLISHED) F10-5151LS (BRUSHED) 90° SIDE OUTLET ELL
- ⑥ F10-5181PM (POLISHED) F10-5181LS (BRUSHED) 135° ELBOW
- ⑦ F10-5061PM (POLISHED) F10-5061LS (BRUSHED) 135° BALL ADJUSTABLE SADDLE
- ⑧ F10-5193PM (POLISHED) F10-5193LS (BRUSHED) DOMED END CAP

2" O.D. SYSTEM

- ① S14-2060PM20 (POLISHED) S14-2060LS20 (BRUSHED) TUBE
- ② F10-5072PM (POLISHED) F10-5072LS (BRUSHED) BASE PLATE/ FLANGE CANOPY
- ③ F10-5162PM (POLISHED) F10-5162LS (BRUSHED) 90° SIDE TEE
- ④ F10-5142PM (POLISHED) F10-5142LS (BRUSHED) 90° ELBOW
- ⑤ F10-5152PM (POLISHED) F10-5152LS (BRUSHED) 90° SIDE OUTLET ELL
- ⑥ F10-5182PM (POLISHED) F10-5182LS (BRUSHED) 135° ELBOW
- ⑦ F10-5062PM (POLISHED) F10-5062LS (BRUSHED) 135° BALL ADJUSTABLE SADDLE
- ⑧ F10-5194PM (POLISHED) F10-5194LS (BRUSHED) DOMED END CAP

NOTES:

- 1. REFER TO STRUCTURAL AND CIVIL ENGINEERS PLANS FOR SIZE AND REINFORCING REQUIREMENTS.
- 2. TECHNICAL ASSISTANCE 1-800-743-3803



SECTION VIEW

SCALE: 6" = 1'