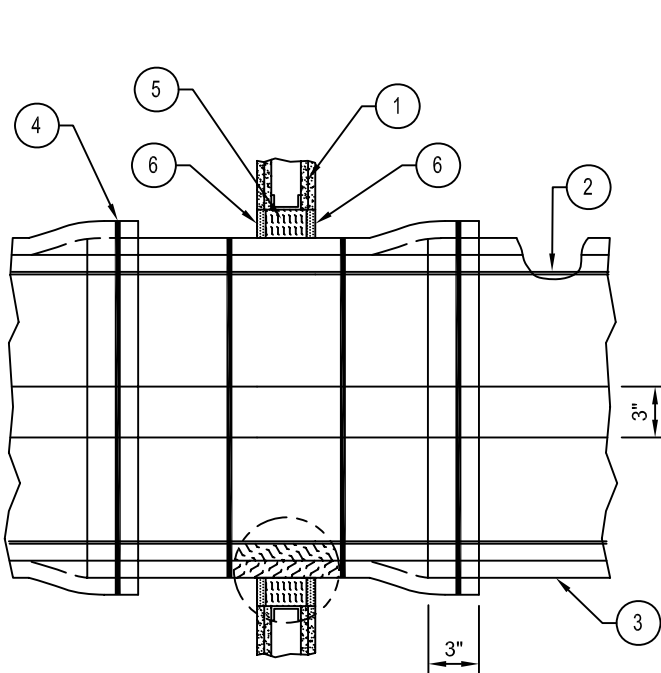
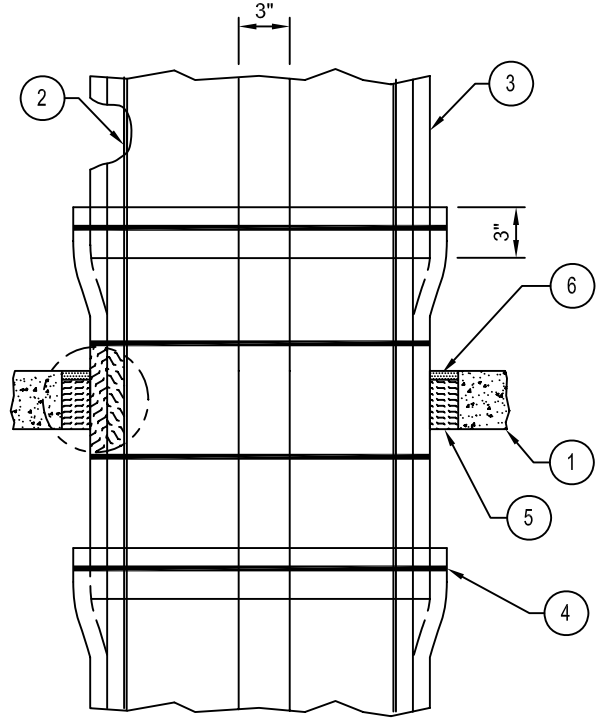


Thermal Ceramics
FireMaster® FastWrap® XL

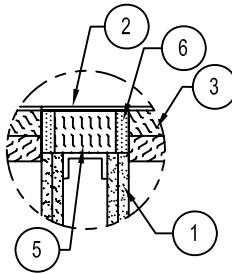
Commercial Kitchen Grease Duct Enclosure System
Air Ventilation Duct Enclosure System
Through Penetration Systems



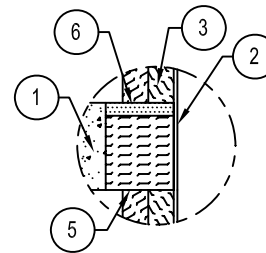
Fastwrap XL continuous through rated wall assembly



Fastwrap XL continuous through rated floor/ceiling assembly



Fastwrap XL terminated on both sides of the rated wall assembly



Fastwrap XL terminated at the top and bottom surface of the floor/ceiling assembly

LEGEND	
1	Rated Floor/ceiling or wall assembly
2	Duct
3	Two Layers of FireMaster FastWrap XL for Grease Duct Enclosures One Layer of FireMaster FastWrap XL for Air Ventilation Duct Enclosures
4	Steel banding minimum 1/2" wide by 0.015" thick or pinning
5	FireMaster FastWrap XL (packing material)
6	Approved through-penetration firestop sealant

The integrity of Firemaster duct systems is limited to the quality of the installation.

UL Listings Per E 814 / UL 1479 Through Penetration	
C-AJ-1562	C-AJ-7004
C-AJ-7012	C-AJ-7014
C-AJ-7019	C-AJ-7021
C-AJ-7047	C-AJ-7095
C-AJ-7098	C-AJ-7119
F-A-1093	F-A-1094
F-A-3048	F-C-7036
F-C-7037	W-L-7009
W-L-7121	W-L-7145
W-J-7086	