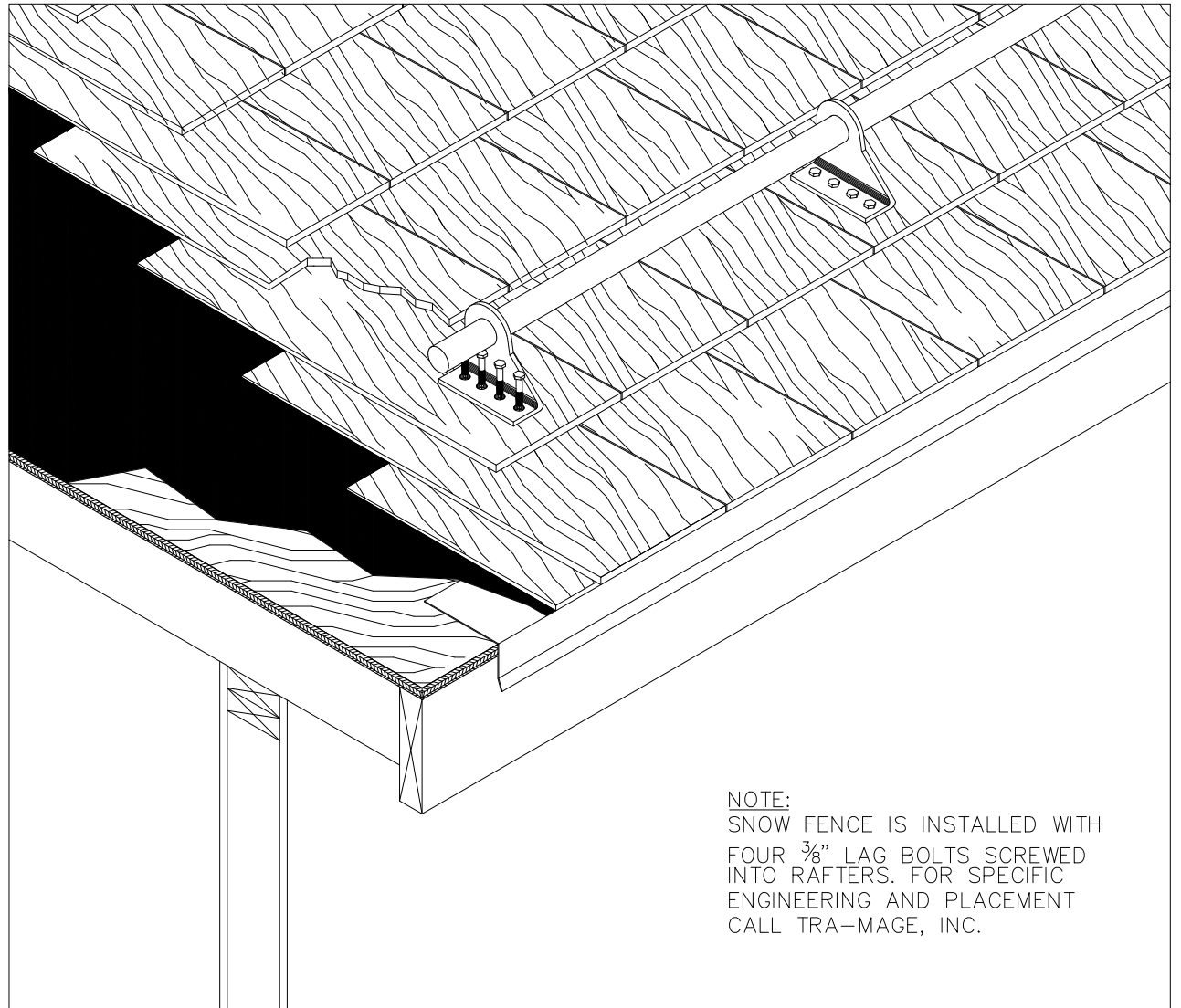
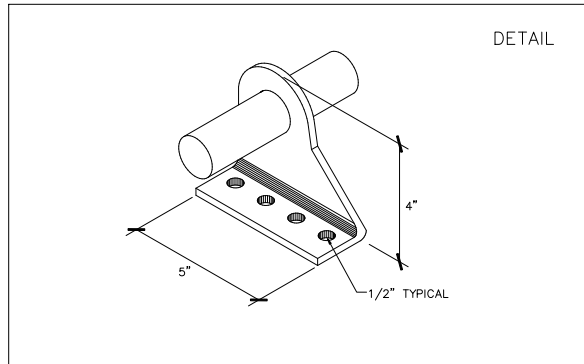


# D-I-H SNOW FENCE



NOTE:  
SNOW FENCE IS INSTALLED WITH  
FOUR  $\frac{3}{8}$ " LAG BOLTS SCREWED  
INTO RAFTERS. FOR SPECIFIC  
ENGINEERING AND PLACEMENT  
CALL TRA-MAGE, INC.