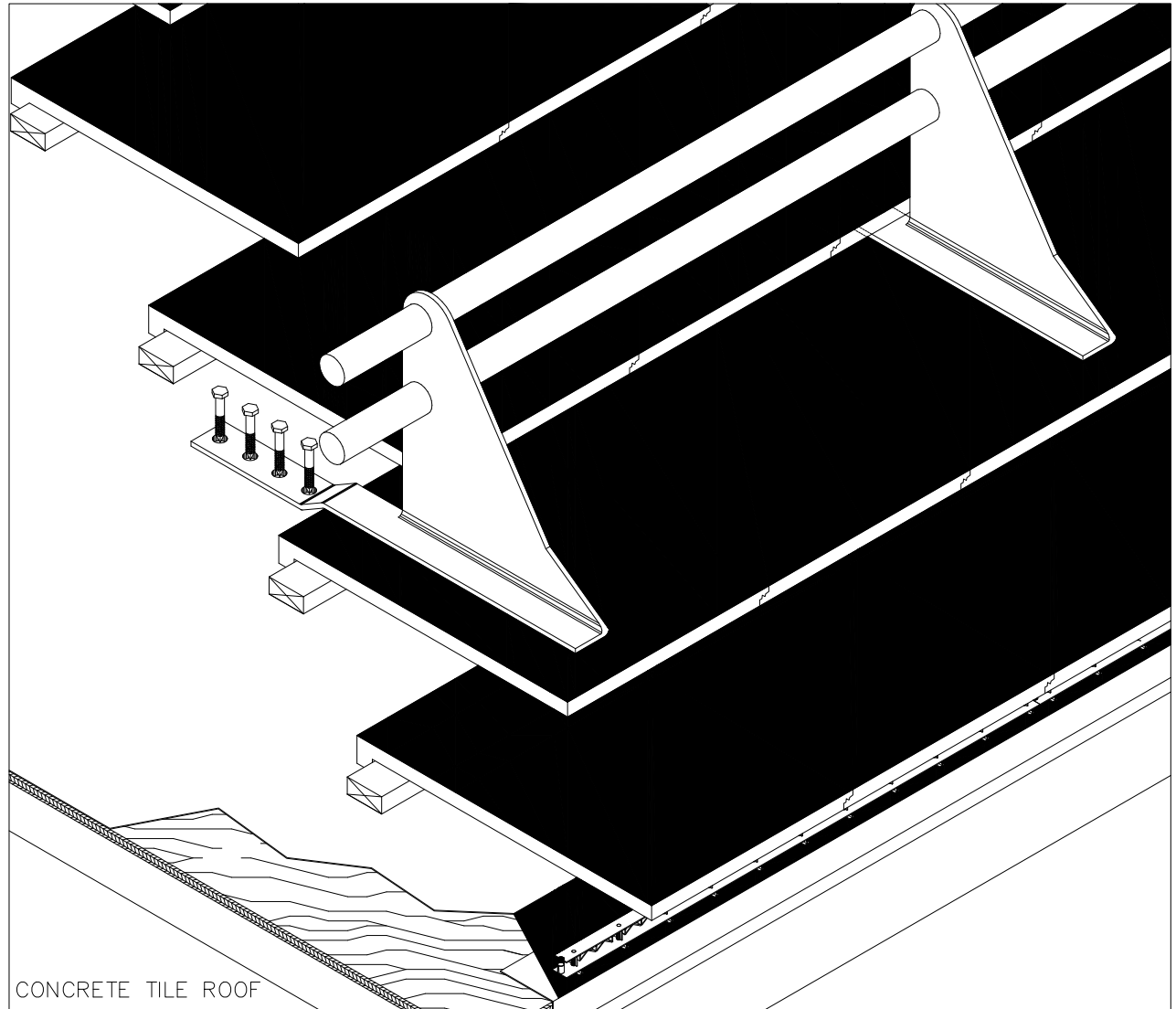
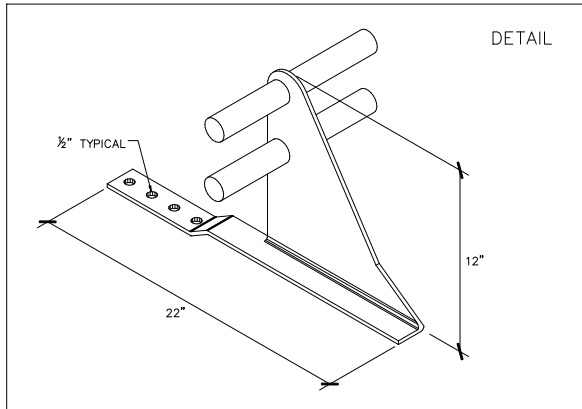


T-1 SNOW FENCE



NOTE:
SNOW FENCE IS INSTALLED WITH FOUR
3/8" LAG BOLTS SCREWED INTO
RAFTERS. FOR SPECIFIC ENGINEERING
AND PLACEMENT CALL TRA-MAGE, INC.