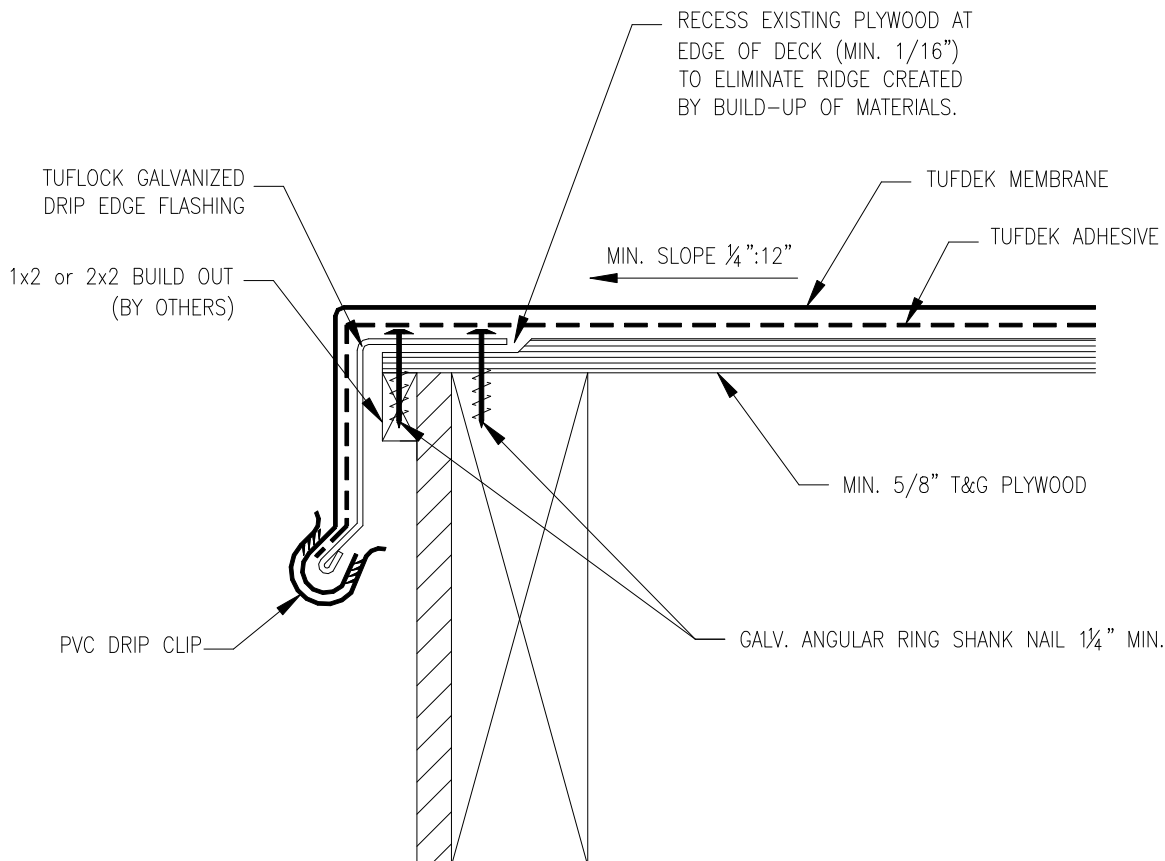




Tuff Industries
9570 Bottom Wood Lake Rd.,
Lake Country, B.C., V4V 1S7
Toll Free: 1-877-860-9333
Fax: (250) 766-1366
www.tufdek.com



NOTES:

1. INSTALLATION TO BE COMPLETED IN ACCORDANCE WITH MANUFACTURES SPECIFICATIONS.
2. DO NOT SCALE DRAWINGS.
3. MIN. SLOPE 1/4":12" AWAY FROM STRUCTURE.
4. TUFDEK MEMBRANE TO BE FULLY ADHERED ON ALL VERTICAL SURFACES WITH TUFF # ADHESIVE.
5. PLYWOOD SUBSTRATES TO BE MIN. 5/8" T&G (3/4" RECOMMENDED) PLYWOOD JOINTS TO BE BLOCKED FROM BELOW.
6. AS A SUPPLIER OF MATERIALS ONLY, TUFF INDUSTRIES DOES NOT ASSUME RESPONSIBILITY FOR ERRORS IN DESIGN, ENGINEERING, QUANTITIES OR DIMENSIONS. THE ARCHITECT, CONTRACTORS OR OWNERS REPRESENTATIVE MUST VERIFY ALL DIMENSIONS, SIZES AND SUITABILITY OF DETAILS.
7. THIS DRAWING IS THE PROPERTY OF TUFF INDUSTRIES INC. AND MAY NOT BE REPRODUCED WITHOUT WRITTEN CONSENT. ANY DIMENSIONS SHOWN ARE APPROXIMATE AND ARE SUBJECT TO FIELD CONFIRMATION BY OTHERS.
8. CONTRACTORS NOTE: FOR PRODUCT INFORMATION VISIT: www.tufdek.com



TD-02-C

OPTION #3

TYPICAL DECK EDGE WITH PVC CLIP