

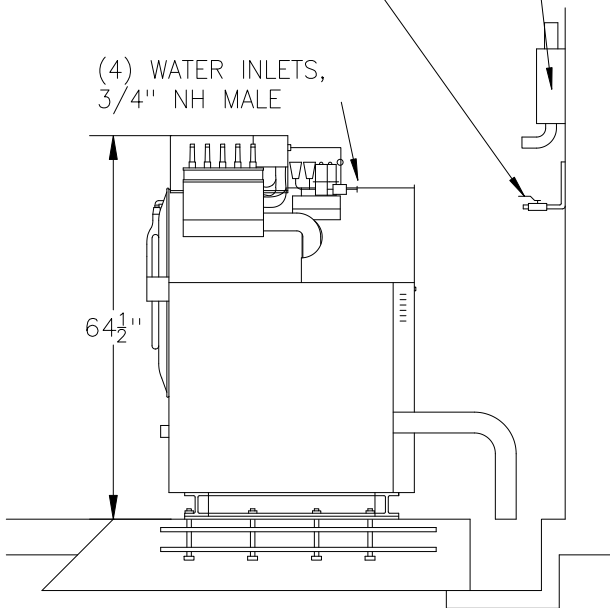
# UW60PV 60lb Washer-Extractor

WATER SUPPLY LINES  
 (1) 1" HOT  
 (1) 1" COLD  
 PROVIDE (2) 3/4" BALL VALVE  
 CUTOFFS WITH 3/4NH(M)  
 CONNECTIONS PER LINE

3° CIRCUIT BREAKER

(4) WATER INLETS,  
 3/4" NH MALE

64 $\frac{1}{2}$ "

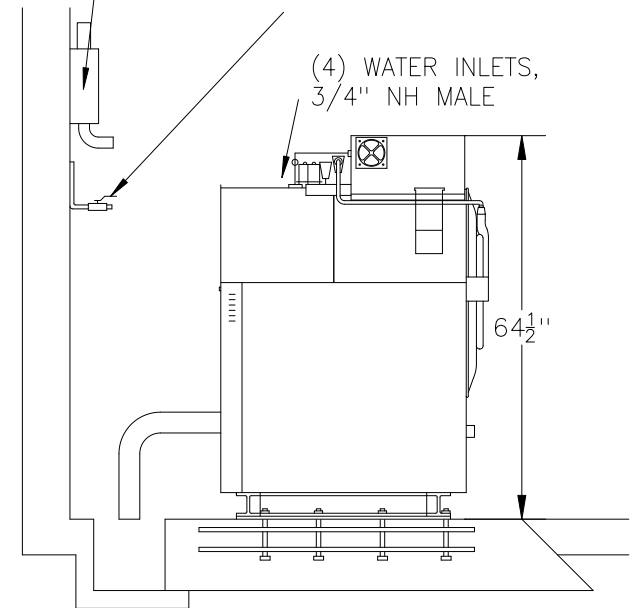


3° CIRCUIT BREAKER

WATER SUPPLY LINES  
 (1) 1" HOT  
 (1) 1" COLD  
 PROVIDE (2) 3/4" BALL VALVE  
 CUTOFFS WITH 3/4NH(M)  
 CONNECTIONS PER LINE

(4) WATER INLETS,  
 3/4" NH MALE

64 $\frac{1}{2}$ "



36  $\frac{5}{8}$ "

