

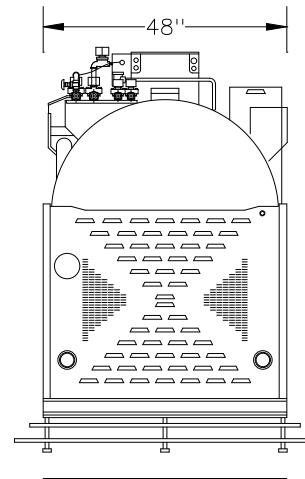
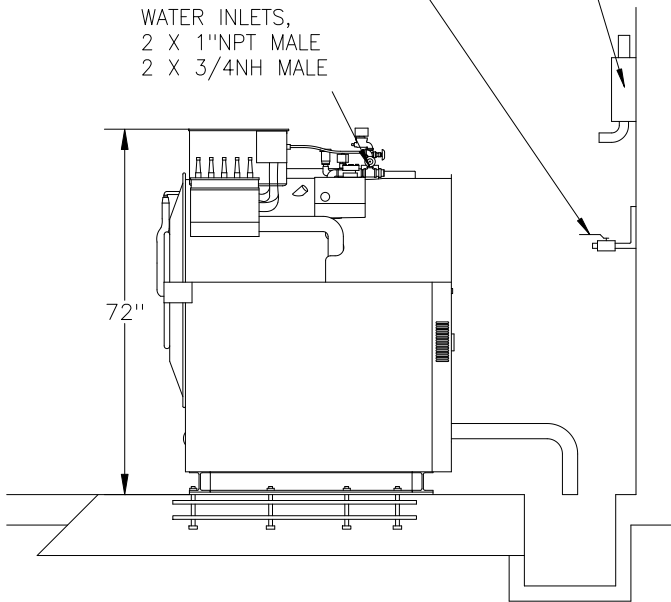
UW125PV 125lb Washer-Extractor

WATER SUPPLY LINES
 (1) 1-1/4" HOT
 (1) 1-1/4" COLD
 PROVIDE (1) 1" BALL VALVE
 CUTOFF WITH 1"NPT(M)
 CONNECTION & (1) 3/4" BALL
 VALVE CUTOFF WITH 3/4NH(M)
 CONNECTION PER LINE

3" CIRCUIT BREAKER

WATER INLETS,
 2 X 1"NPT MALE
 2 X 3/4NH MALE

72"



WATER SUPPLY LINES
 (1) 1-1/4" HOT
 (1) 1-1/4" COLD
 PROVIDE (1) 1" BALL VALVE
 CUTOFF WITH 1"NPT(M)
 CONNECTION & (1) 3/4" BALL
 VALVE CUTOFF WITH 3/4NH(M)
 CONNECTION PER LINE

3" CIRCUIT BREAKER

WATER INLETS,
 2 X 1"NPT MALE
 2 X 3/4NH MALE

72"

