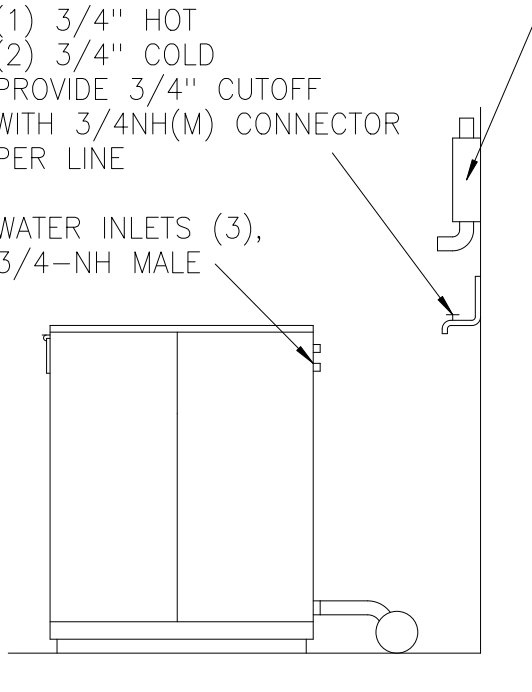


# UX35PV Soft-Mount Washer-Extractor

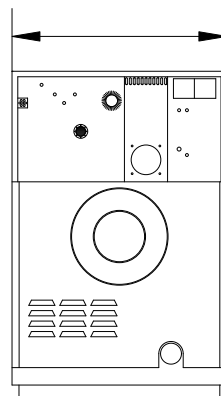
WATER SUPPLY LINES  
(1) 3/4" HOT  
(2) 3/4" COLD  
PROVIDE 3/4" CUTOFF  
WITH 3/4NH(M) CONNECTOR  
PER LINE

3° CIRCUIT BREAKER

WATER INLETS (3),  
3/4-NH MALE



30 13/16"



3° CIRCUIT BREAKER

WATER SUPPLY LINES  
(1) 3/4" HOT  
(2) 3/4" COLD  
PROVIDE 3/4" CUTOFF  
WITH 3/4NH(M) CONNECTOR  
PER LINE

WATER INLETS (3),  
3/4-NH MALE

