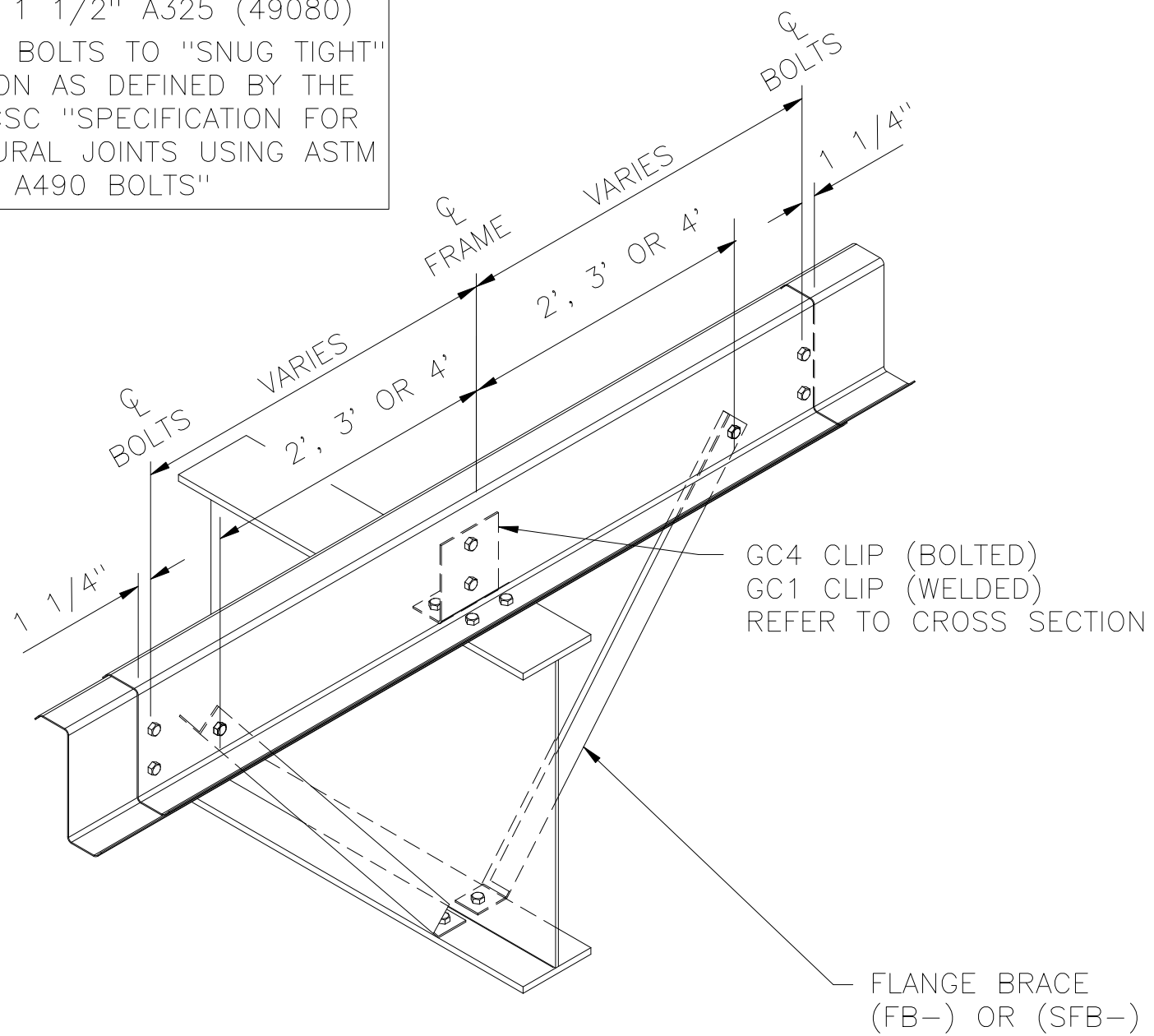


NOTE: ALL BOLTS TO BE  
 1/2" X 1 1/2" A325 (49080)  
 TIGHTEN BOLTS TO "SNUG TIGHT"  
 CONDITION AS DEFINED BY THE  
 AISC/RCSC "SPECIFICATION FOR  
 STRUCTURAL JOINTS USING ASTM  
 325 OR A490 BOLTS"



PURLIN CONN. AT INTERIOR FRAME

6 1/2" OR 8 1/2" CONTINUOUS PURLINS W/CLIP

RS01A1	