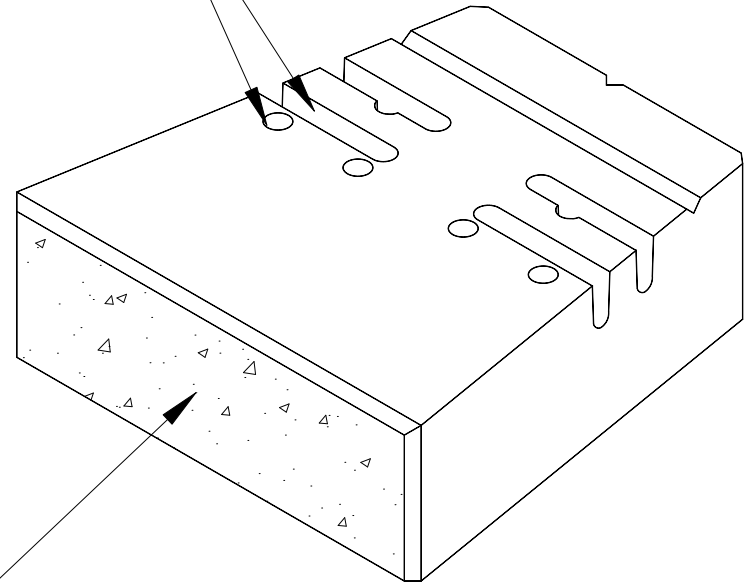


PIN HOLES AND SLOTS FOR $\frac{3}{4}$ "
SETBACK WALL CONSTRUCTION



STRAIGHT SPLIT FACE

VERSA-LOK MOSAIC SYSTEM — ACCENT UNIT

UNIT DIMENSIONS
SCALE: NONE

TARGET SCALE: $\frac{3}{4}$ " = 1'-0"

Arcat file no.: 0283023

(Mfr file no.: VLMD1R2K)