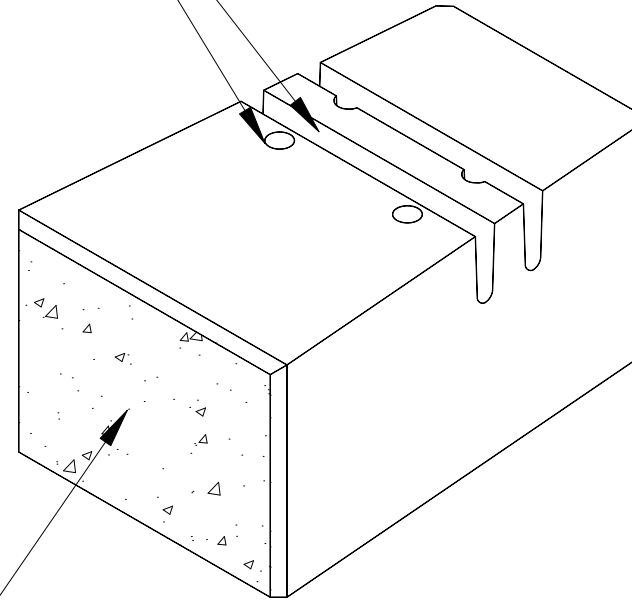


PIN HOLE AND SLOT FOR $\frac{3}{4}$ "
SETBACK WALL CONSTRUCTION



STRAIGHT SPLIT FACE

VERSA-LOK MOSAIC SYSTEM — COBBLE UNIT

UNIT DIMENSIONS
SCALE: NONE

TARGET SCALE: $\frac{3}{4}$ " = 1'-0"

Arcat file no.: 02830024

(Mfr file no.: VLMD1R2K)