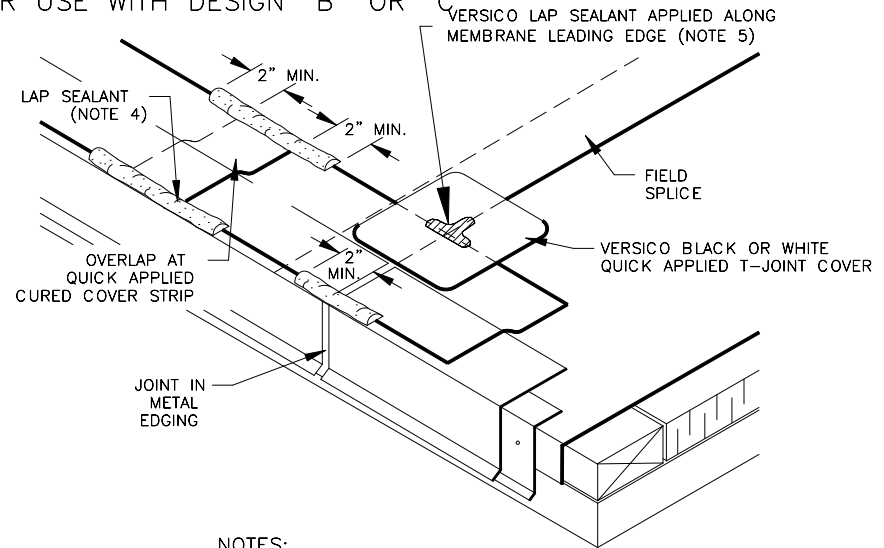
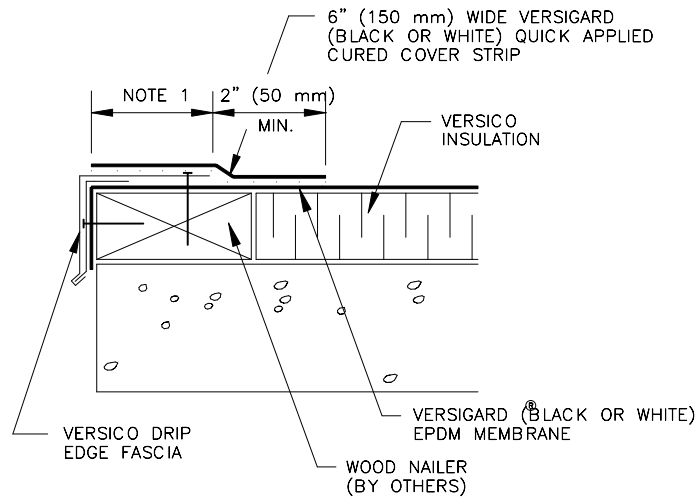


C-1.1 (OPTION #1)

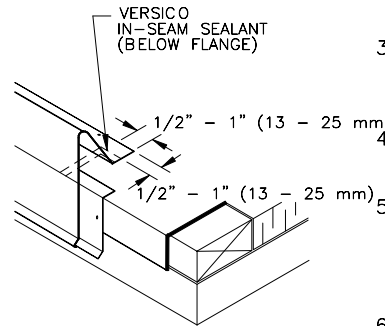
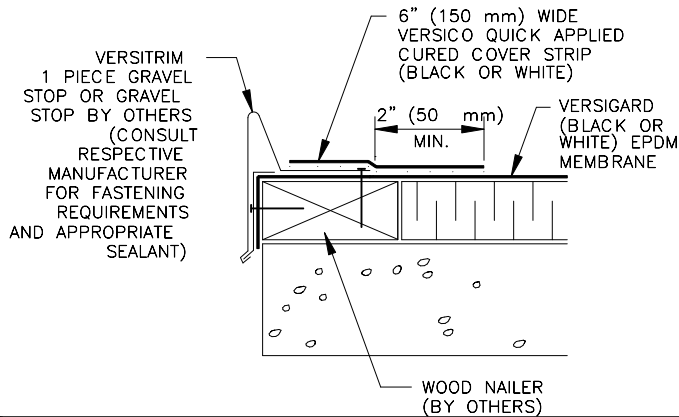
DETAIL NOT FOR USE WITH DESIGN "B" OR "C"



NOTES:

1. DECK FLANGE MUST BE TOTALLY COVERED BY QUICK APPLIED FLASHING WITH MINIMUM 2" (50 mm) COVERAGE PAST NAIL HEADS.
2. TO REMOVE FINISHING OILS, SCRUB METAL FLANGE WITH WEATHERED MEMBRANE CLEANER; ALLOW TO DRY PRIOR TO APPLYING PRIMER.
3. APPLY VERSICO PRIMER TO METAL FLANGE AND EPDM MEMBRANE SURFACE PRIOR TO INSTALLING QUICK APPLIED FLASHING.
4. LAP SEALANT MUST BE APPLIED AT FLASHING OVERLAPS AND INTERSECTIONS WITH JOINTS IN METAL EDGING.
5. APPLY LAP SEALANT ALONG THE LEADING EDGE OF THE MEMBRANE SPLICE (UNDER THE 6" X 6" T-JOINT COVER) COVERING THE EXPOSED SEAM TAPE 2" (50 mm) IN ALL DIRECTIONS FROM THE SPLICE INTERSECTION.
6. REFER TO APPLICABLE VERSICO METAL EDGING INSTALLATION INSTRUCTION MANUAL FOR STEP-BY-STEP INSTALLATION PROCEDURES.

C-1.1 (OPTION #2) DETAIL NOT FOR USE WITH DESIGN "C"



C-1.1 (OPTION 1 & 2)

METAL EDGE TERMINATION WITH QUICK APPLIED CURED COVER STRIP

