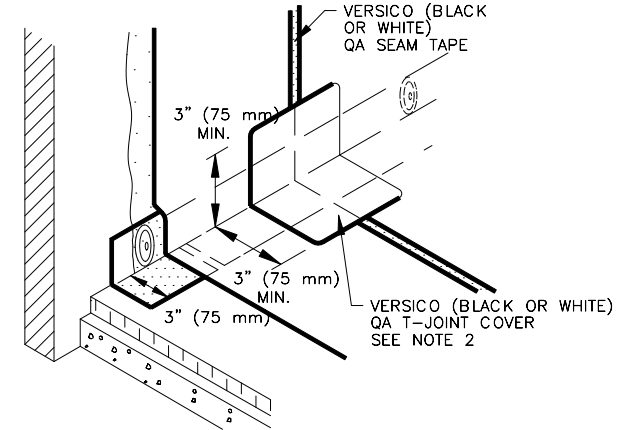
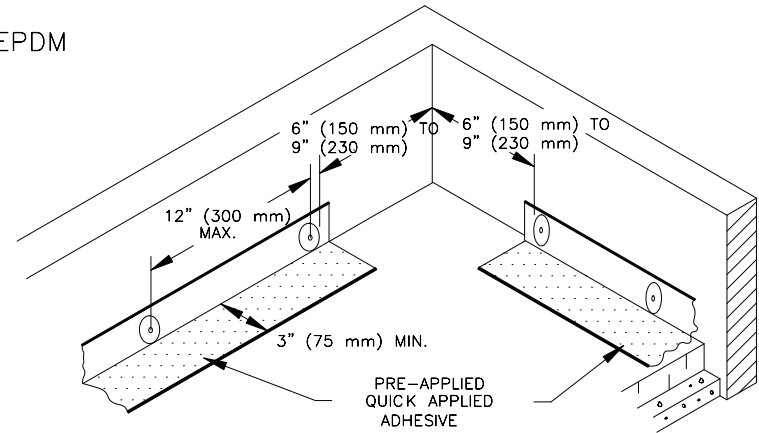
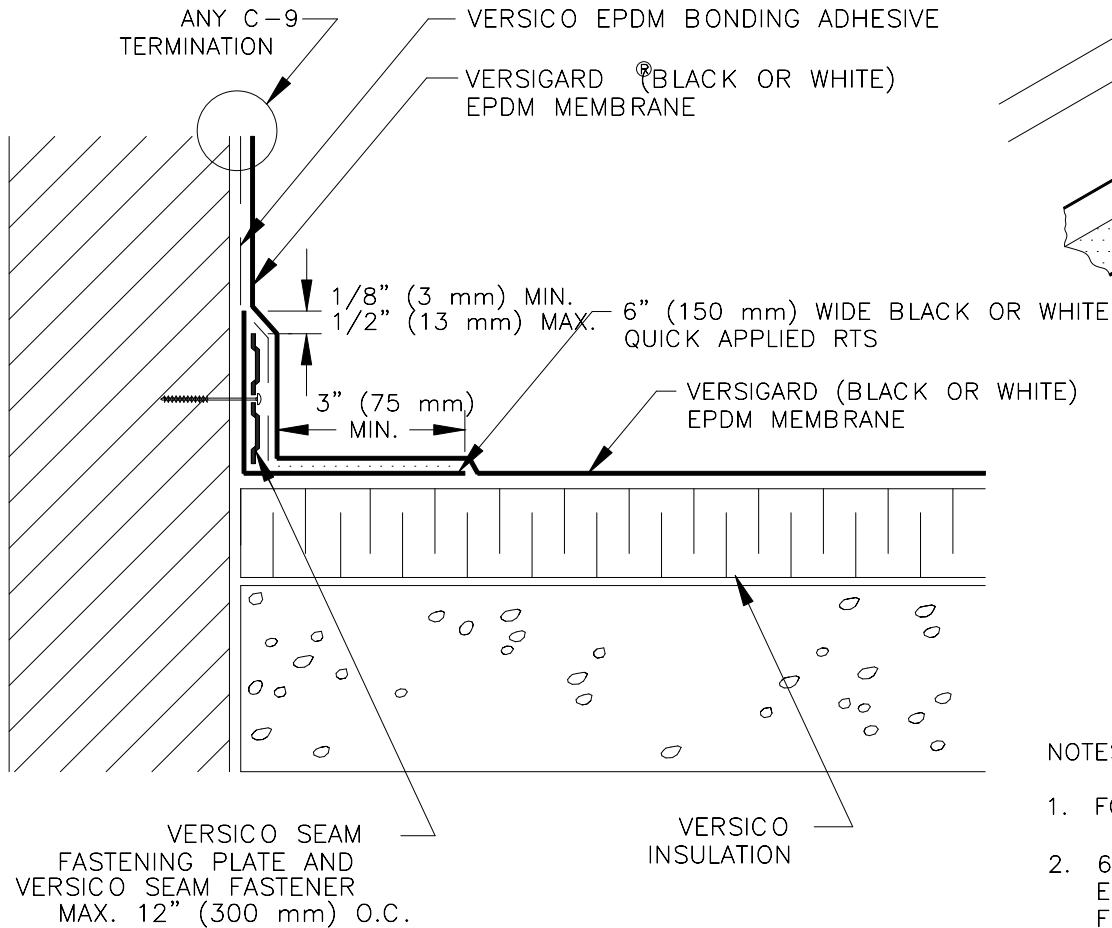


VERSICO PRIMER MUST BE APPLIED TO BACK SIDE OF EPDM
PRIOR TO ADHERING MEMBRANE TO QUICK APPLIED RTS



NOTES:

1. FOR CORNER APPLICATION, SEE DETAIL C-15.4.
2. 6" (150 mm) WIDE QUICK APPLIED UNCURED EPDM FLASHING MAY ALSO BE CENTERED OVER FIELD SPLICE AT ANGLE CHANGE.

C-12.4 OPTION #2
WALL FLASHING WITH QUICK APPLIED RTS



© 2007 VERSICO, LLC