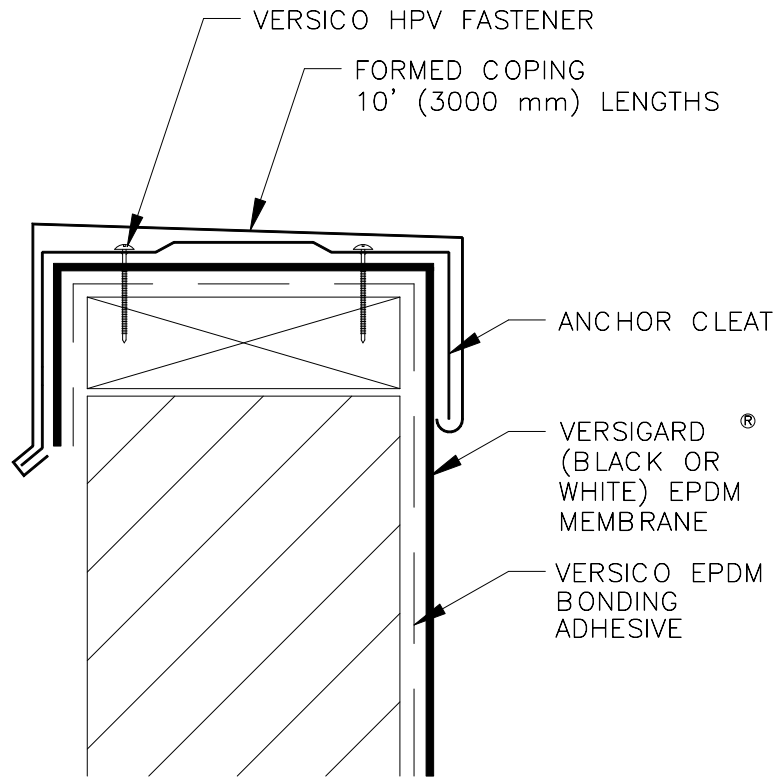
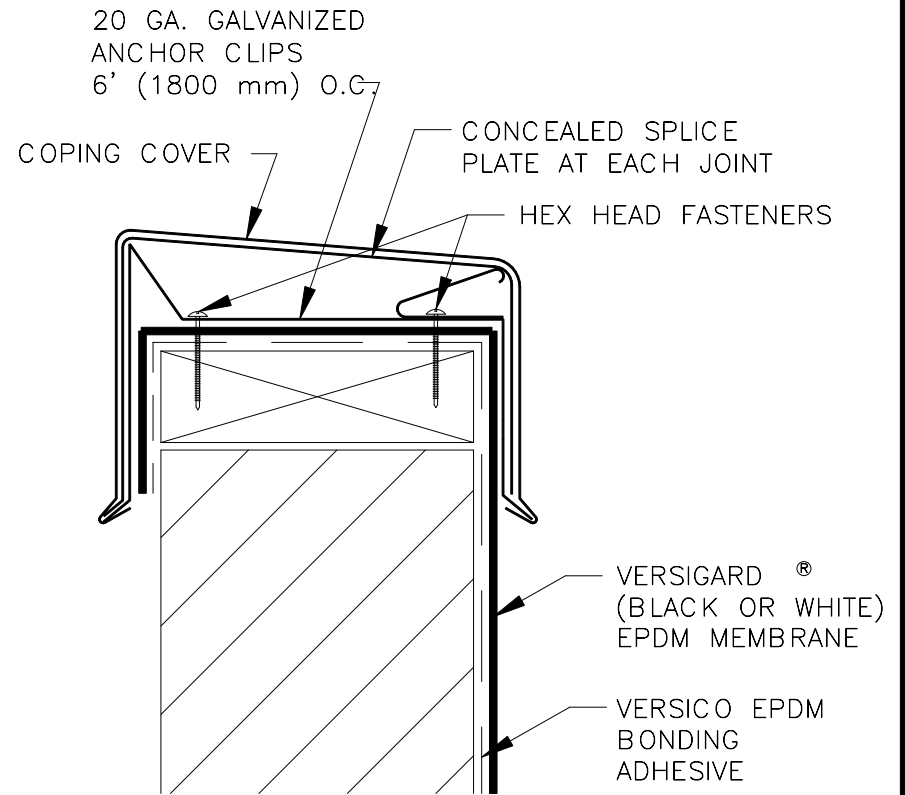


MEMBRANE SHOULD BE EXTENDED AT CORNERS TO PROVIDE COMPLETE COVERAGE OF THE TOP WALL SURFACE



OPTION 1                      VERSITRIM™

REFER TO VERSITRIM COPING INSTALLATION INSTRUCTION MANUAL FOR STEP-BY-STEP INSTRUCTION PROCEDURES.



OPTION 2                      VERSITRIM™ 200

REFER TO VERSITRIM COPING INSTALLATION INSTRUCTION MANUAL FOR STEP-BY-STEP INSTRUCTION PROCEDURES.

C-9.9

METAL COPING



© 2007 VERSICO, LLC