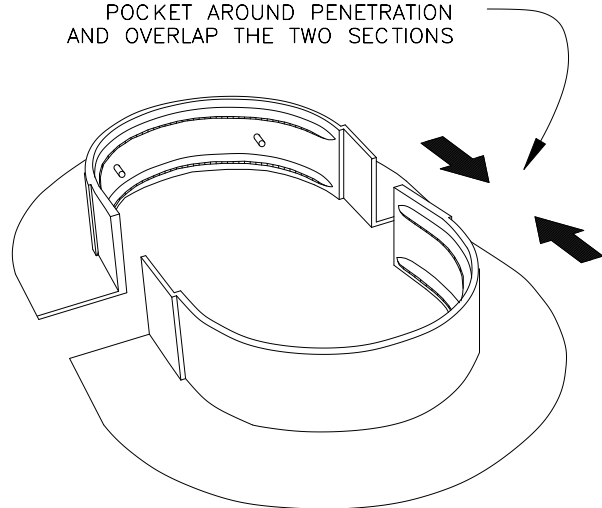


NOTES:

1. TEMPERATURE OF PIPE MUST NOT EXCEED 120° F (49° C).
2. FILL POCKET COMPLETELY WITH PVC ONE PART POURABLE SEALER UNTIL RIM IS COVERED WITH SEALANT; ENSURE ALL VOIDS ARE FILLED.
3. SEALANT POCKET TO BE MINIMUM 1" (25 mm) FROM PENETRATION ON ANY SIDE.
4. ON MECHANICALLY-ATTACHED SYSTEMS, INSTALL A MINIMUM OF 4 FASTENING PLATES AROUND SEALANT POCKETS. FASTENERS/PLATES ARE NOT REQUIRED ON ADHERED SYSTEMS.
5. APPROXIMATELY 1/8" (3 mm) DIAMETER BEAD OF CUT-EDGE SEALANT IS REQUIRED ON CUT EDGES OF REINFORCED MEMBRANE.

PLACE PVC MOLDED SEALANT POCKET AROUND PENETRATION AND OVERLAP THE TWO SECTIONS



REFER TO TECHNICAL DATA BULLETIN (TDB) FOR STEP-BY-STEP INSTALLATION PROCEDURES

# VFC-16 MOLDED VersiFlex SEALANT POCKET

**VERSICO**  
INCORPORATED



A subsidiary of Carlisle SynTec Incorporated  
© 2005 VERSICO INCORPORATED