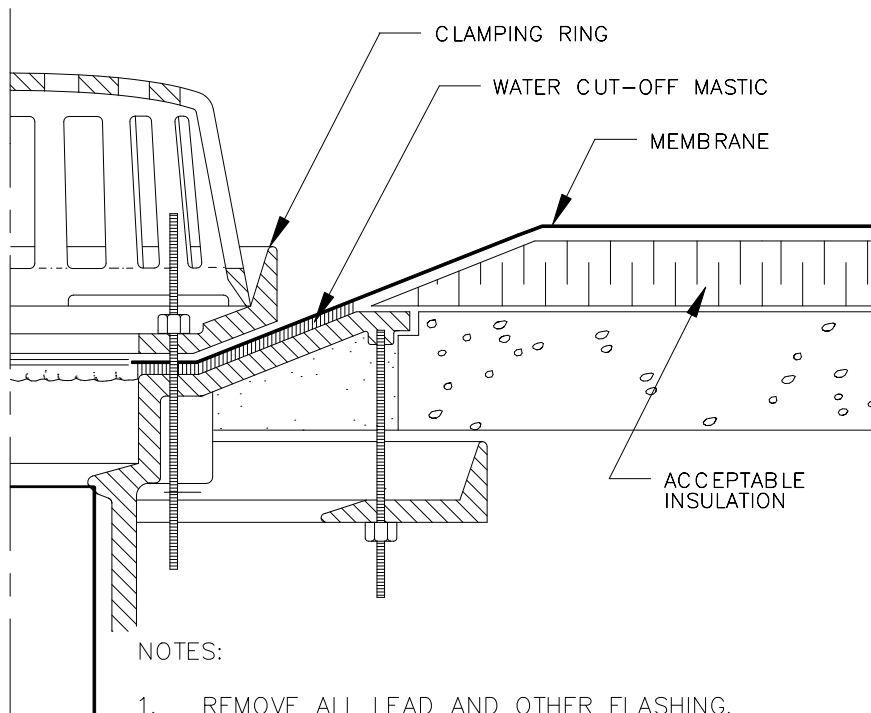
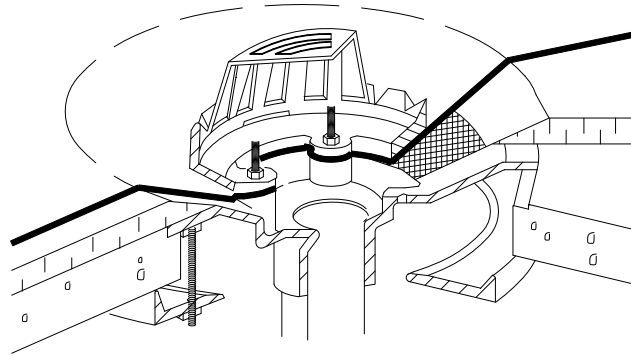


FOR DRAINS WITH TAPERED
INSULATION AT DRAIN SUMP
LESS THAN 3 INCHES TO 1
HORIZONTAL FOOT
(75 mm/300 mm)



VFC-6A
ROOF DRAIN

VERSICO
INCORPORATED



A subsidiary of Coriale SynTec Incorporated
© 2005 VERSICO INCORPORATED