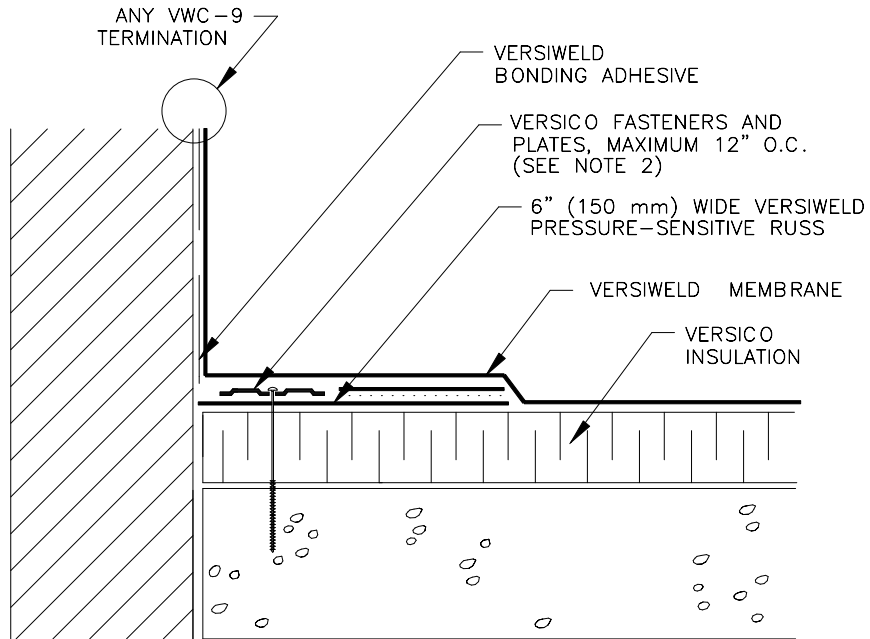


VersiWeld[®] ROOFING SYSTEM

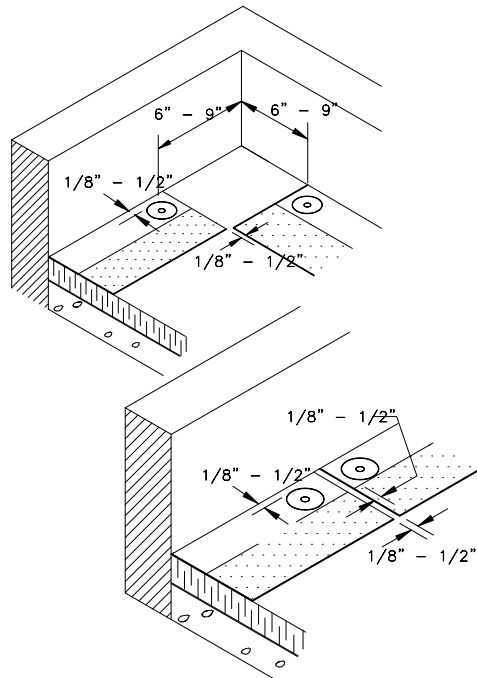
CREASE MEMBRANE AT ANGLE CHANGE TO
LIMIT BRIDGING TO 3/4" (19 mm) MAXIMUM



V-150 PRIMER MUST BE APPLIED TO BACK SIDE OF MEMBRANE
PRIOR TO ADHERING MEMBRANE TO PRESSURE-SENSITIVE RUS

NOTES:

1. FOR CORNER APPLICATION, SEE DETAIL VWC-15.5.
2. ON MECHANICALLY FASTENED SYSTEMS, HPVX FASTENERS AND HPVX PLATES OR HPV-XL FASTENERS AND HPV-XL PLATES ARE REQUIRED OVER STEEL AND WOOD DECKS. ON CONCRETE DECKS, CD-10, OR MP 14-10 FASTENERS ARE USED WITH HPVX PLATES.
3. WHEN COUNTER-FLASHING IS USED FOR TERMINATION, BONDING ADHESIVE IS NOT REQUIRED WHEN FLASHING HEIGHT IS 12" (300 mm) OR LESS. WHEN COPING OR TERMINATION BAR IS USED, ADHESIVE MAY BE ELIMINATED WHEN FLASHING HEIGHT IS 18" (500 mm) OR LESS.



VWC-12.2
WALL FLASHING/
PRESSURE-SENSITIVE RUS

VERSICO
INCORPORATED



A subsidiary of Carlisle SynTec Incorporated
© 2006 VERSICO INCORPORATED