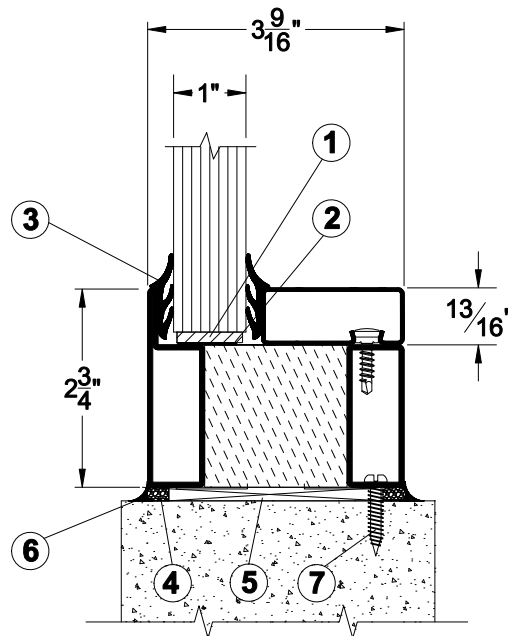


KEYED NOTES:

1. SETTING BLOCK (SILL ONLY), ALTERNATES BY OTHERS:
 - A. HARDWOOD
 - B. CALCIUM SILICATE
 - C. NEOPRENE (90 DURO)
2. CONTINUOUS INTUMESCENT TAPE FURNISHED W/VDS FRAME (INSTALLED BY OTHERS)
3. GLAZING GASKET FURNISHED W/VDS FRAME (INSTALLED BY OTHERS)
4. FIRE RATED SEAL
 - A. WELL PACKED ROCKWOOL
 - B. CONTINUOUS INTUMESCENT CAULKING
 - C. CONTINUOUS INTUMESCENT TAPE
5. SHIMS
 - A. HARDWOOD
 - B. CALCIUM SILICATE
 - C. CEDAR SHIM SHINGLES
6. FINISH SEALANT BY OTHERS
7. ANCHOR SCREWS BY OTHERS, 20" O.C.

**TYPICAL VDS-60 PERIMETER DETAIL**