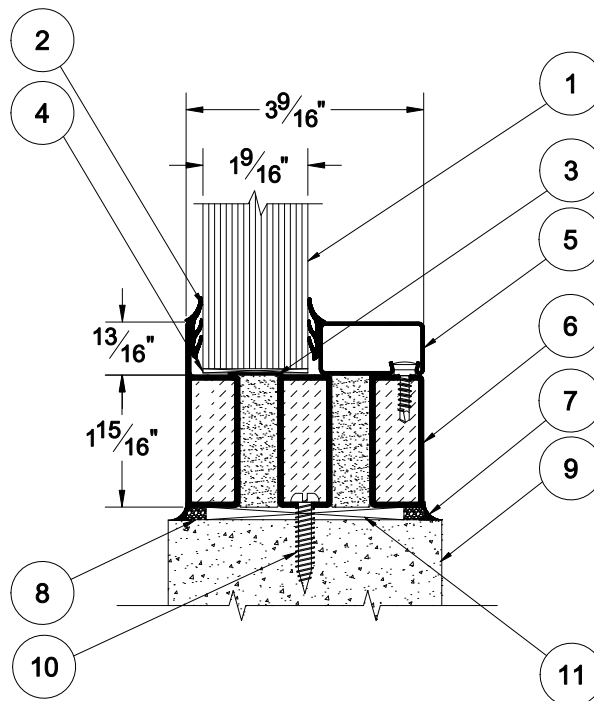


### KEYED NOTES:

1. 120 MINUTE CONTRAFLAM N2 PROVIDED BY VETROTECH.
2. RUBBER GLAZING GASKET. FURNISHED WITH VDS FRAME AND INSTALLED BY OTHERS.
3. CONTINUOUS INTUMESCENT TAPE. FURNISHED WITH VDS FRAME AND INSTALLED BY OTHERS.
4. SETTING BLOCKS, 1/4" x 3" x 1", TWO EACH, ON ALL SILLS AT APPROXIMATE QUARTER POINTS, BY OTHERS. LOCATIONS: REMOVE INTUMESCENT STRIP AT SETTING BLOCK. ACCEPTABLE ALTERNATES: HARDWOOD, CALCIUM SILICATE, OR NEOPRENE (90 DURO).
5. GLAZING BEAD. INSTALL OVER GLAZING BEAD SCREW.
6. 120 MINUTE FRAME WITH CALCIUM SILICATE INSULATION.
7. FINISHED SEALANT PROVIDED BY OTHERS.
8. FIRE RATED SEAL IN SHIM SPACE PROVIDE BY OTHERS. ACCEPTABLE ALTERNATIVES: WELL PACKED ROCKWOOL, CONTINUOUS INTUMESCENT CAULKING, OR CONTINUOUS INTUMESCENT TAPE.
9. WALL STRUCTURE, REFERENCE ARCHITECTURAL DRAWINGS FOR DETAILS.
10. ANCHOR SCREWS INSTALLED AND PROVIDED BY OTHERS. PLACE 20" O.C. MAX. HEAD DIA. 27/64"; MAX. SHANK DIA. 1/4".
11. SHIMS PROVIDED BY OTHERS. ACCEPTABLE ALTERNATES: HARDWOOD, CALCIUM SILICATE, OR CEDAR SHINGLES.



### TYPICAL VDS-120 PERIMETER DETAIL