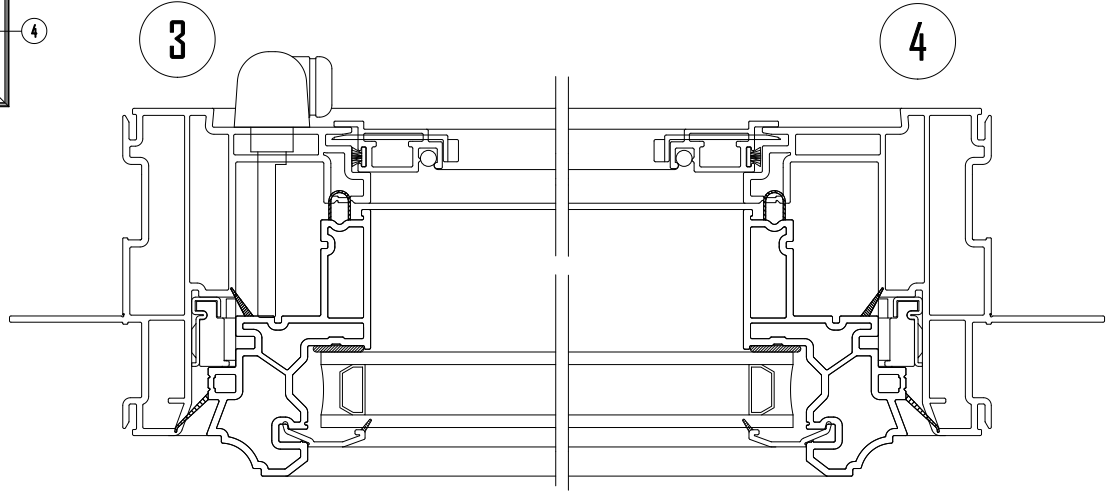
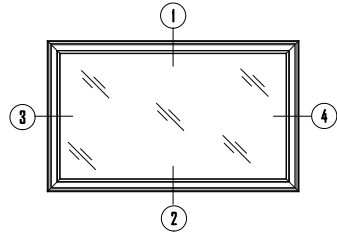
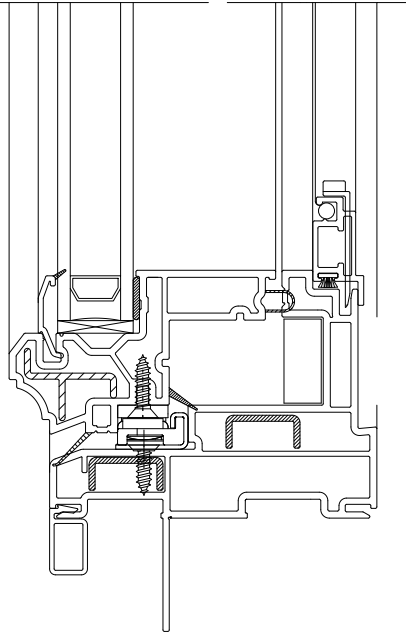


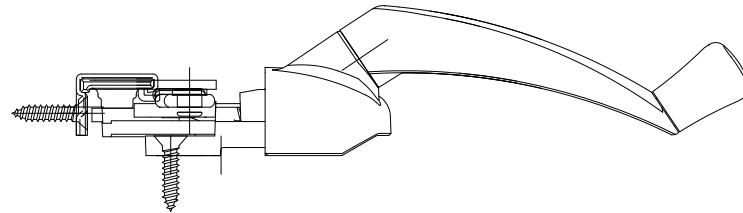
1



Multi-Point Lock



2



<b>DAYTON TECHNOLOGIES</b>			
<small>MINNIE, OHIO Copyright 2000</small>			
NAME:	Model 143.191 Casement		
DRAWN BY:	CRB	DATE:	8/28/00
CHECKED BY:		DATE:	
SCALE:	1:1 "0"	APP.:	MSB/CA