



PROJECT:

CLIENT:

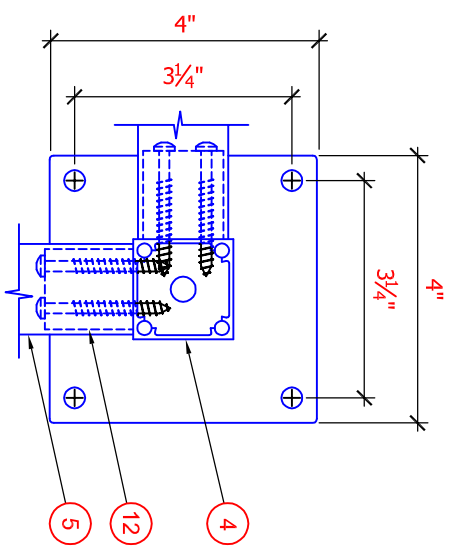
SITE LOCATION:

DRAWN	PROJECT
DESIGNED	CHECKED
SCALE	NTS
CREATED	JAN 07

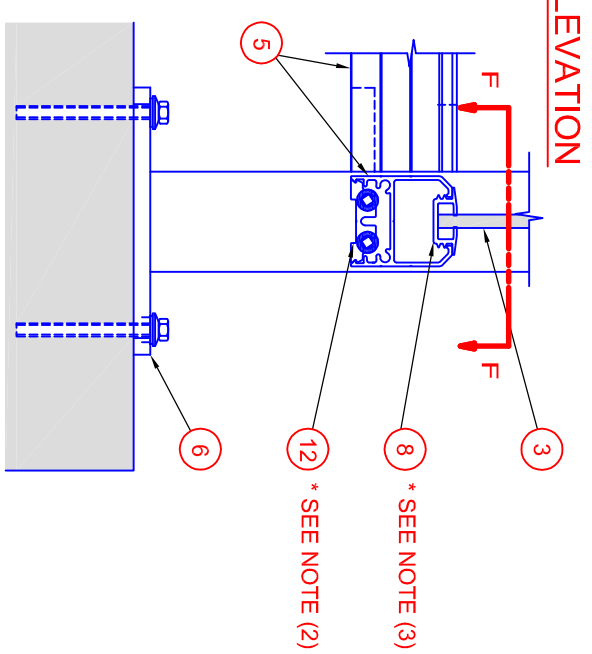
No	DATE	ISSUE - REVISION
----	------	------------------

**TOP MOUNT GLASS
1.5" CORNER POST**
DWG No. **TGC1.5**

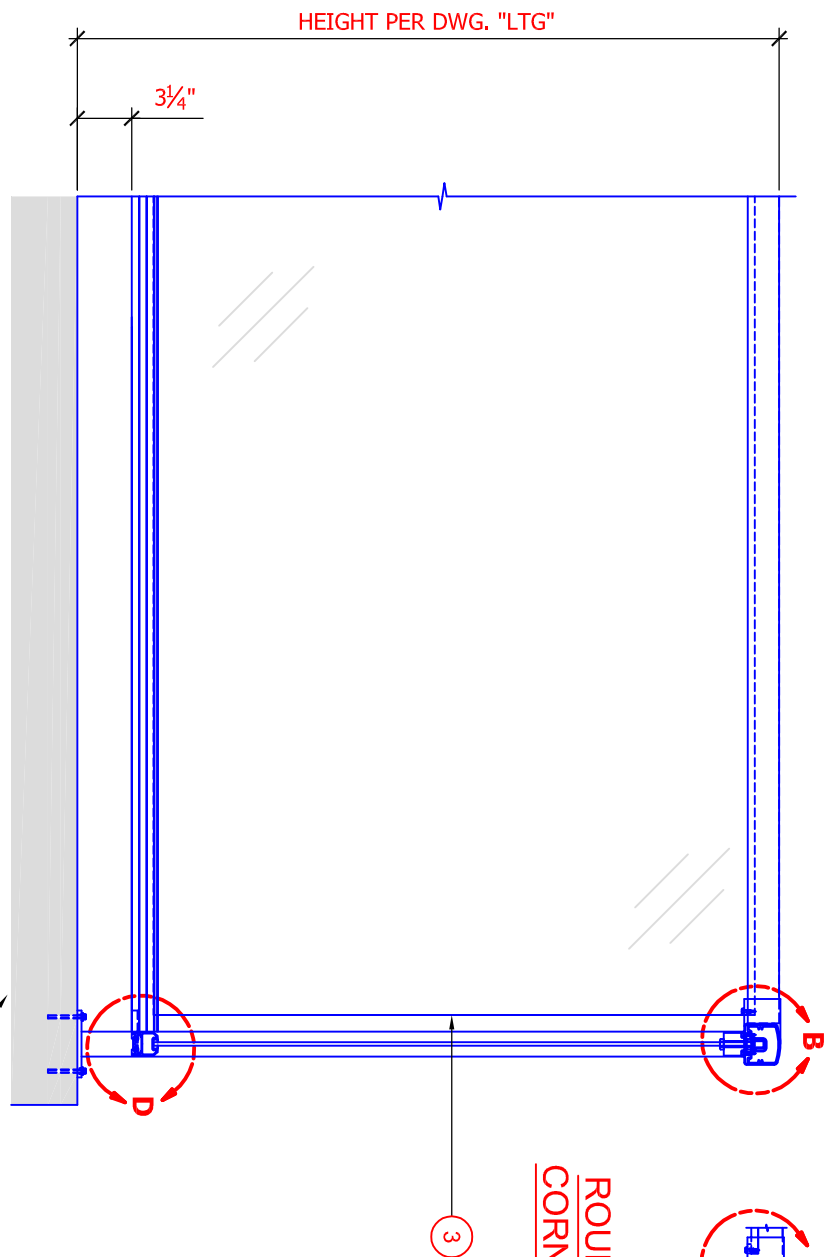
SECTION F-F



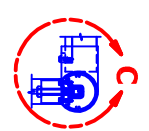
**DETAIL 'D'
BOTTOM CORNER**



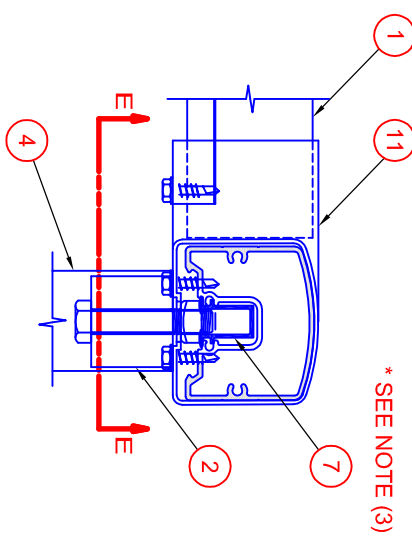
ELEVATION



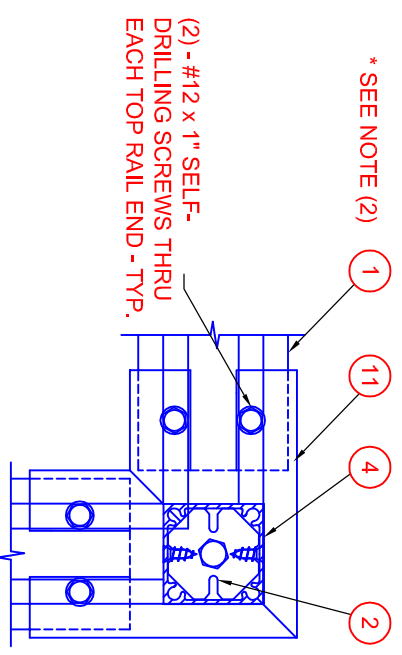
**ROUND TOP
CORNER ALT.**



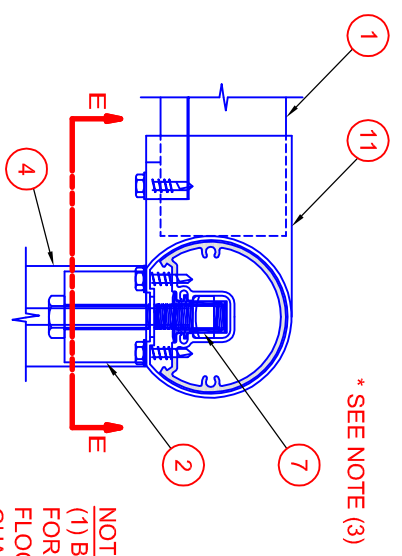
**DETAIL 'B'
SQUARE TOP CORNER**



SECTION E-E



**DETAIL 'C'
ROUND TOP CORNER**



- NOTES:**
 (1) BUILDING GENERAL CONTRACTOR IS RESPONSIBLE FOR PROVIDING ADEQUATE BACKING IN WALLS AND FLOORS TO AFFIX TO THE BUILDING THE ALUMINUM GUARDRAIL LAYOUT DEFINED IN THESE DRAWINGS
 (2) ITEM #1 FITS INSIDE ITEM #11 ; ITEM #2 FITS INSIDE ITEM #4 ; ITEM #12 SNAPS INSIDE ITEM #5
 (3) TOP & BOTTOM GLAZING GASKETS SNAP INTO THE TOP RAIL AND BOTTOM GLASS CHANNEL RESPECTIVELY.

ITEM	DESCRIPTION
1	2 1/2" SQUARE □ OR ROUND TOP □ RAIL (CHECK CORRECT BOX)
2	RAIL/POST CONNECTOR C/W 3/8" Ø NUT AND BOLT TO RAIL & (2) - #8 X 1/2" SCREWS TO POST
3	TEMPERED GLASS PANEL 5mm THK. IN CANADA □ OR 1/4" THK. IN USA (CHECK CORRECT BOX)
4	1 1/2" STANDARD ALUMINUM POST
5	BOTTOM GLASS CHANNEL
6	4" X 4" X 1/4" BASE C/W (4) - 5/16" Ø X 3 1/4" LAG SCREW INTO WOOD OR (4) - 3/8" Ø X 3" KWIK BOLTS II ANCHORS INTO CONCRETE AND TO POST W/ (4) - #12 X 2" FLAT HEAD SCREWS
7	TOP GLAZING GASKET
8	BOTTOM GLAZING GASKET
9	(NOT SHOWN)
10	(NOT SHOWN)
11	TOP RAIL EXTERNAL CORNER SLEEVE
12	CHANNEL BLOCK C/W (2) - #10 X 2" SCREWS TO POST