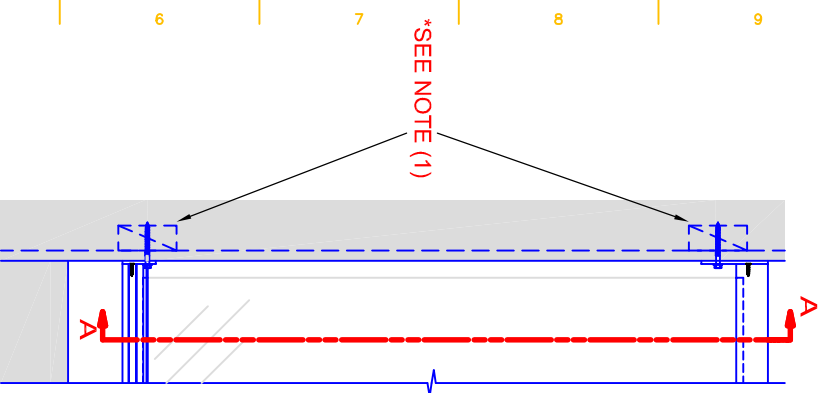
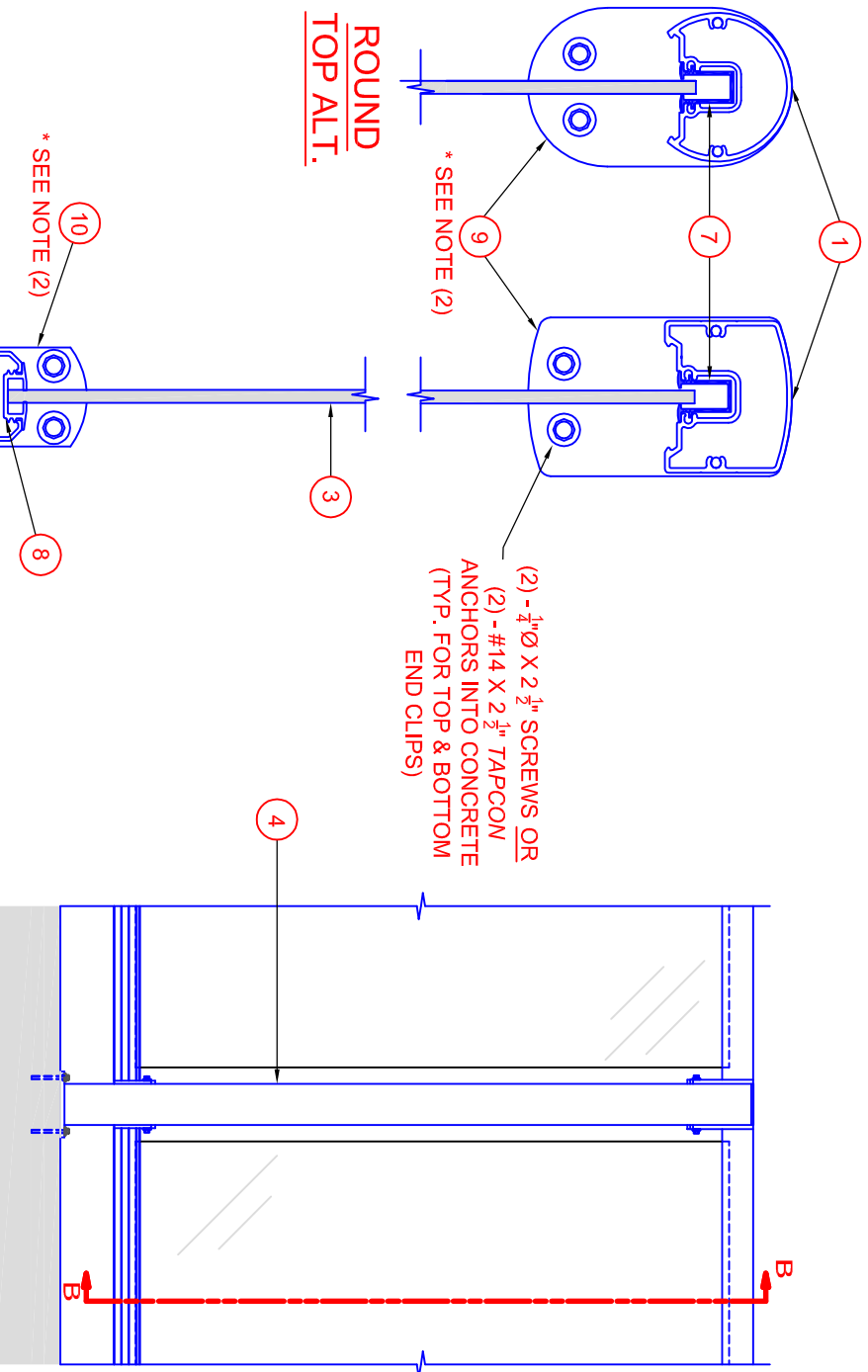


**BUILDING CONNECTION**



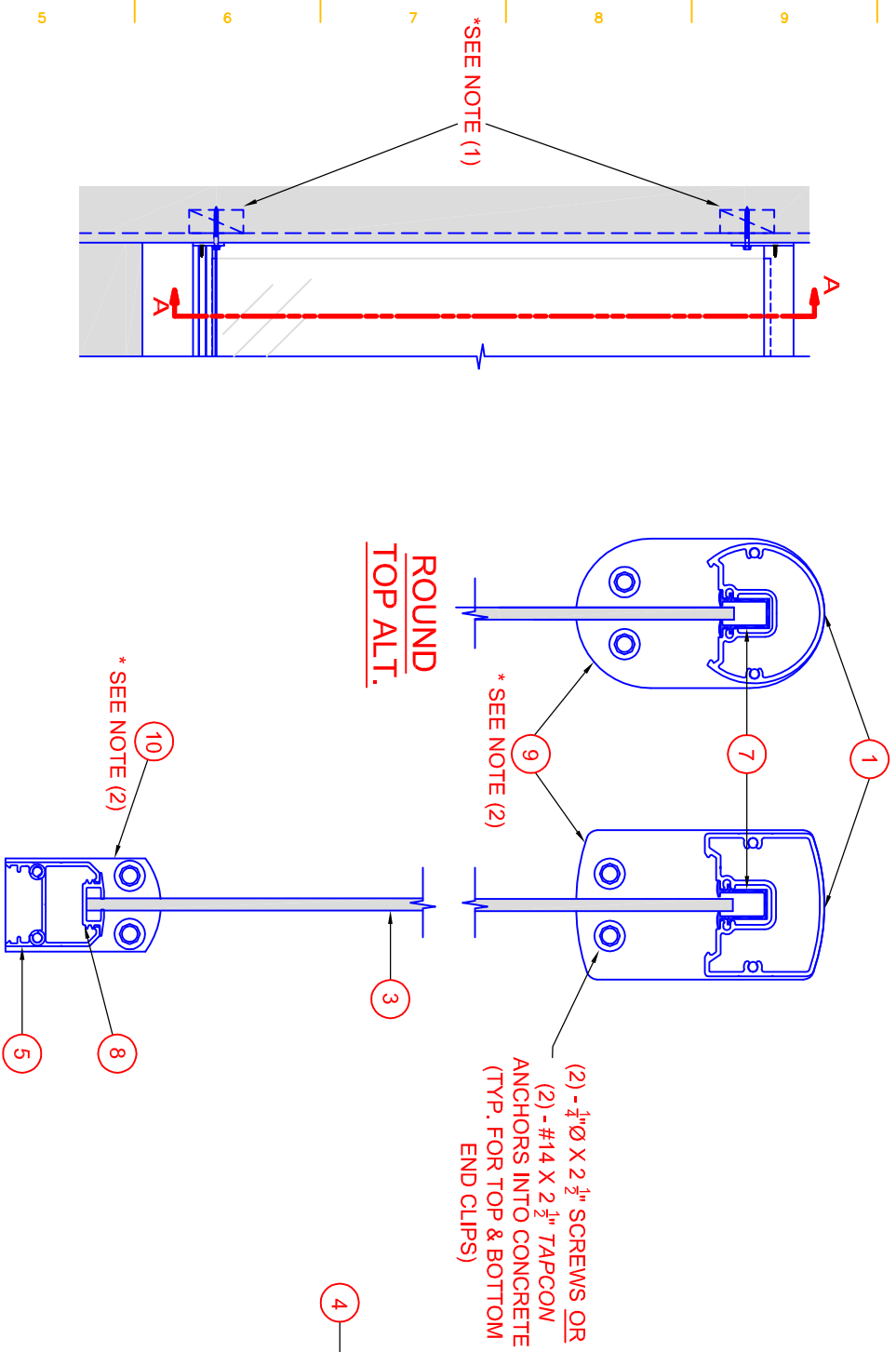
**2 1/2" ALUMINUM POST CONNECTION**



ITEM	DESCRIPTION
1	2 1/4" SQUARE □ OR ROUND TOP □ RAIL (CHECK CORRECT BOX)
2	(NOT SHOWN)
3	TEMPERED GLASS PANEL 5mm THK. IN CANADA □ OR 1/4" THK. IN USA (CHECK CORRECT BOX)
4	2 1/2" STANDARD ALUMINUM POST
5	BOTTOM GLASS CHANNEL (NOT SHOWN)
6	TOP GLAZING GASKET (NOT SHOWN)
7	BOTTOM GLAZING GASKET
8	TOP RAIL END CLIP
9	BOTTOM RAIL END CLIP
10	(NOT SHOWN)
11	(NOT SHOWN)
12	(NOT SHOWN)

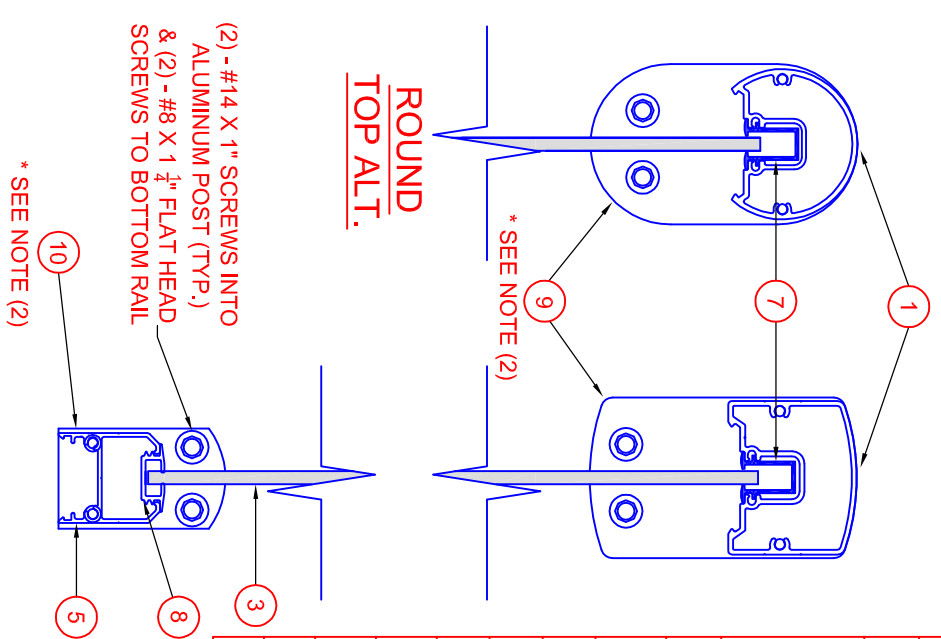
**END CLIP CONNECTION**

**SECTION A-A**

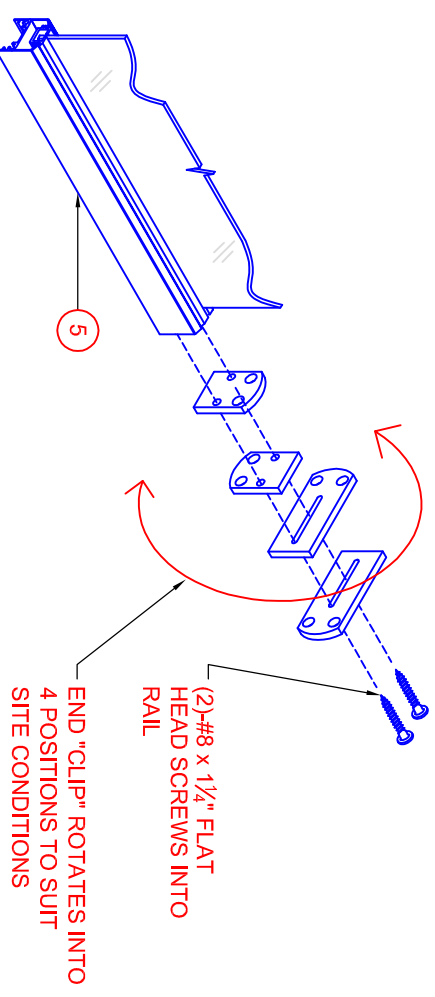


**POST CLIP CONNECTION**

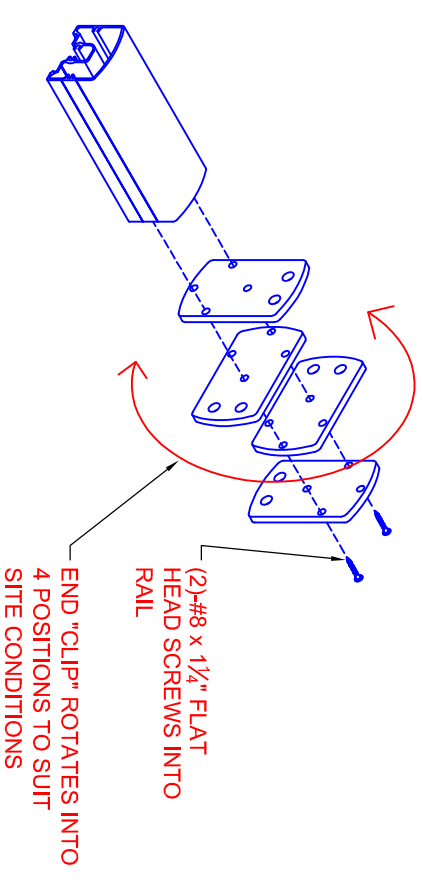
**SECTION B-B**



**BOTTOM RAIL END CLIP ROTATION**



**TOP RAIL END CLIP ROTATION**



**NOTES:**  
 (1) BUILDING GENERAL CONTRACTOR MUST ENSURE THAT PROPER BACKING IS PROVIDED FOR FIRM ANCHORAGE OF GUARD RAIL ENDS  
 (2) TOP & BOTTOM END CLIPS ROTATE IN 4 POSITIONS (DEFAULT POSITION SHOWN, ROTATE TO SUIT SITE CONDITIONS PER 3D DIAGRAM BELOW.



PROJECT: \_\_\_\_\_  
 CLIENT: \_\_\_\_\_  
 SITE LOCATION: \_\_\_\_\_

SCALE	NTS	CREATED	JAN 07
DRAWN	DESIGNED	PROJECT	CHECKED

No	DATE	ISSUE - REVISION

**TOP MOUNT GLASS END CONNECTIONS**

DWG No. **TGE**