



PROJECT:

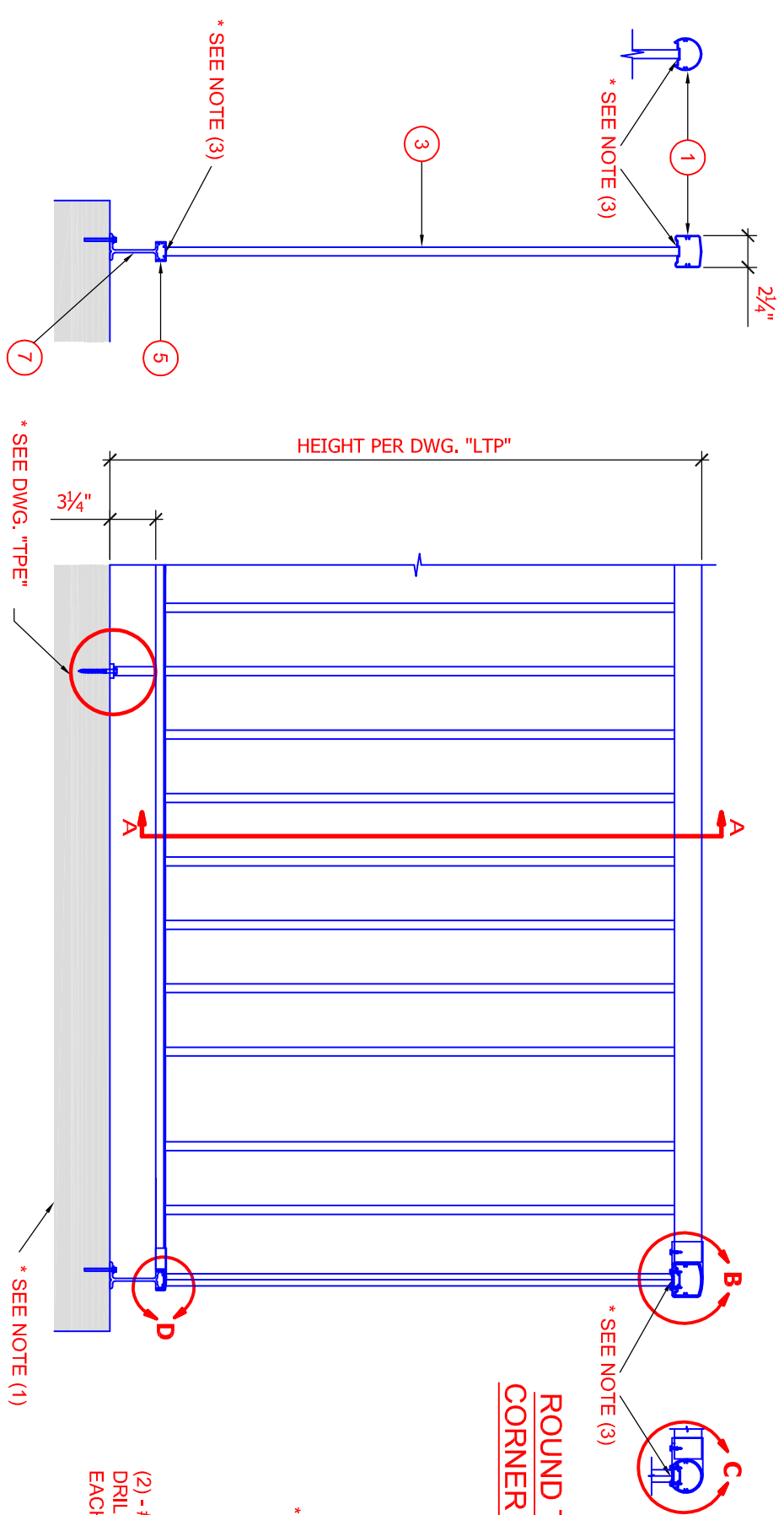
CLIENT:

SITE LOCATION:

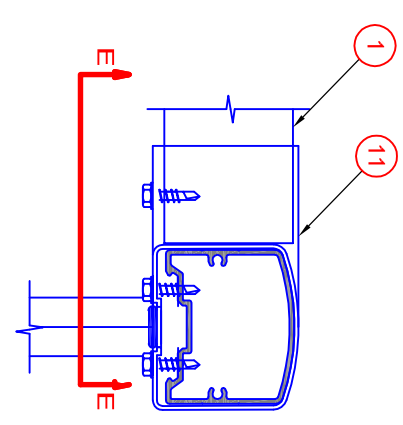
DRAWN	PROJECT
DESIGNED	CHECKED
SCALE	NTS
NTS	CREATED
	JAN 07

No	DATE	ISSUE - REVISION

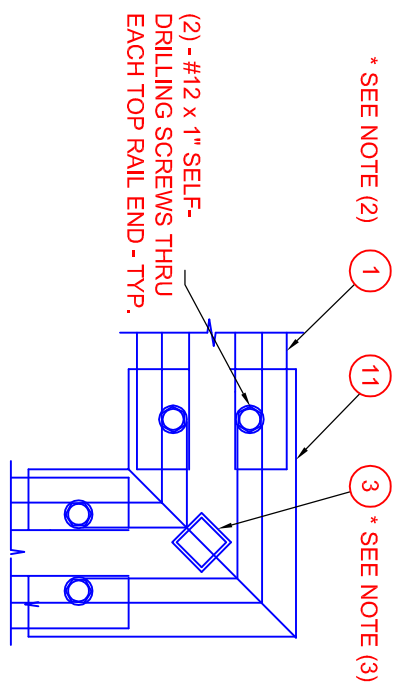
**TOP MOUNT PICKET
PICKET CORNER**
DWG No. **TPPG**



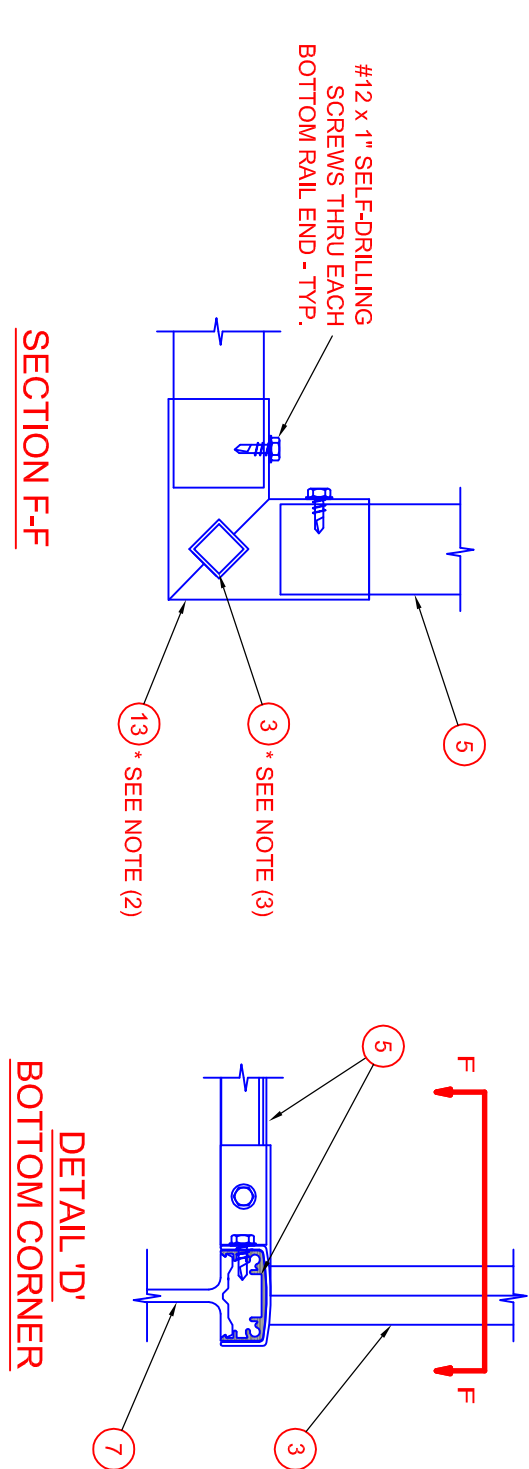
**ROUND TOP
CORNER ALT.**



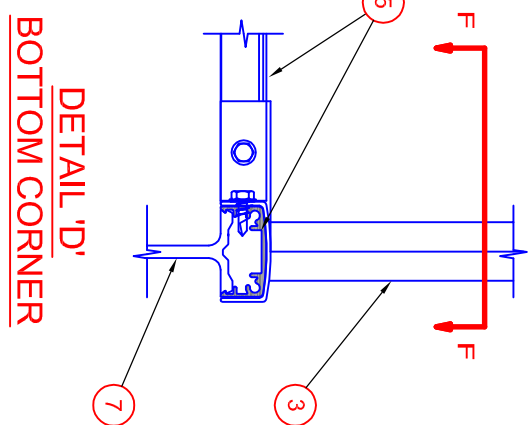
**DETAIL 'B'
SQUARE TOP CORNER**



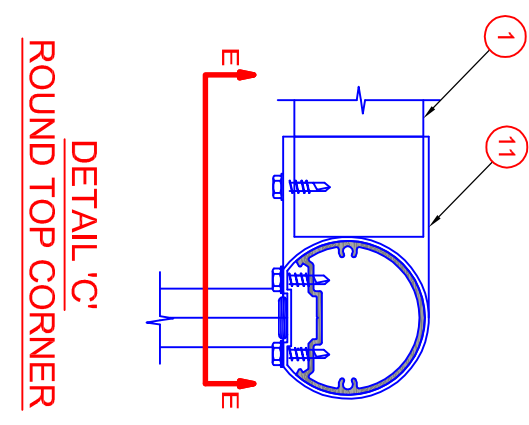
SECTION E-E



SECTION F-F



**DETAIL 'D'
BOTTOM CORNER**



**DETAIL 'C'
ROUND TOP CORNER**

ITEM	DESCRIPTION
1	2 1/4" SQUARE □ OR ROUND TOP □ RAIL (CHECK CORRECT BOX)
2	(NOT SHOWN)
3	5/8" X 5/8" ALUMINUM PICKET (NOT SHOWN)
4	(NOT SHOWN)
5	1 3/8" X 3/4" BOTTOM CHANNEL (NOT SHOWN)
6	(NOT SHOWN)
7	PICKET LEG CW 1/4" Ø X 2 1/2" SCREW INTO WOOD OR #14 X 2" "TAPCON" ANCHOR INTO CONCRETE
8	(NOT SHOWN)
9	(NOT SHOWN)
10	(NOT SHOWN)
11	TOP RAIL EXTERNAL CORNER SLEEVE (NOT SHOWN)
12	(NOT SHOWN)
13	BOTTOM CHANNEL CORNER SLEEVE

NOTES:
 (1) BUILDING GENERAL CONTRACTOR IS RESPONSIBLE FOR PROVIDING ADEQUATE BACKING IN WALLS AND FLOORS TO AFFIX TO THE BUILDING THE ALUMINUM GUARDRAIL LAYOUT DEFINED IN THESE DRAWINGS
 (2) ITEM #1 FITS INSIDE ITEM #11 ; ITEM #5 FITS INSIDE ITEM #13
 (3) ANGLE PICKET AND WELD TO UNDERSIDE OF ITEM #11 & TO ITEM #13 RESPECTIVELY