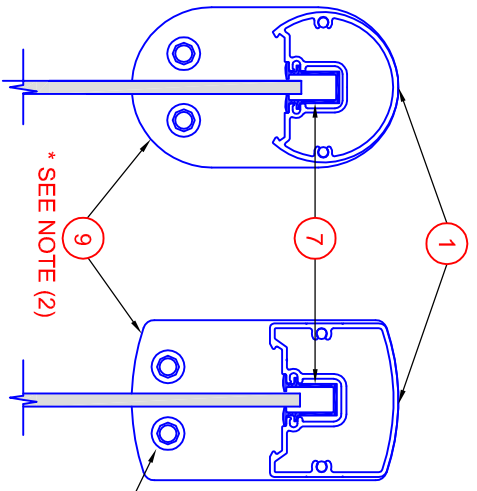
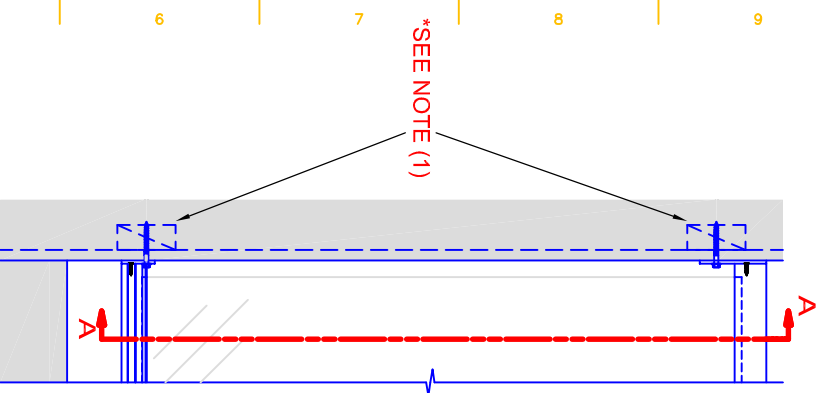
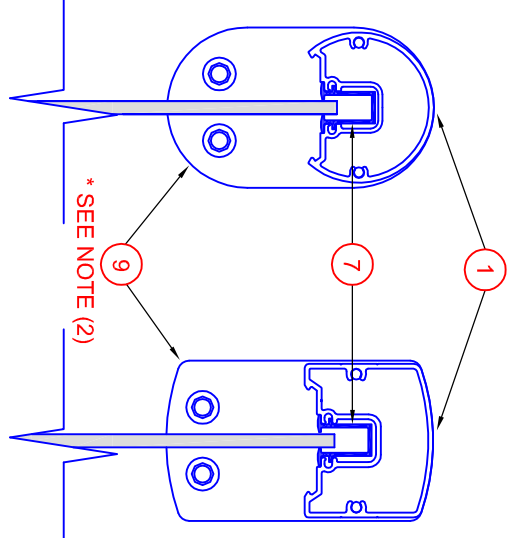
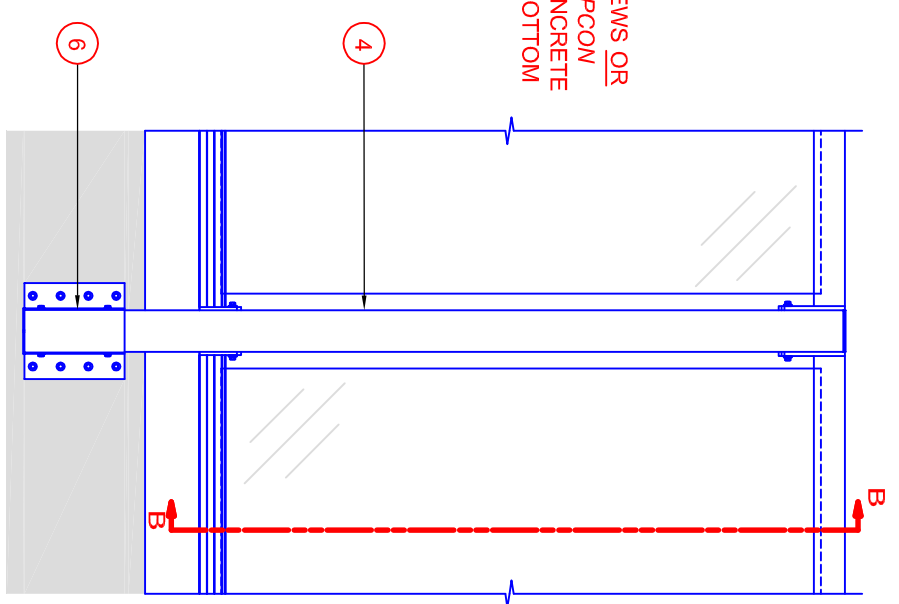
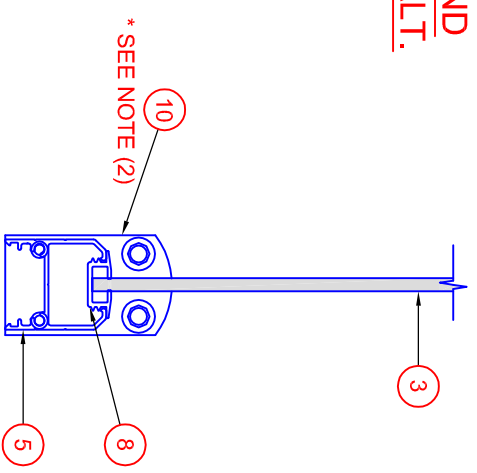


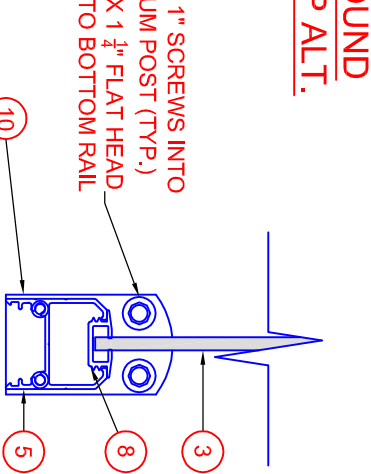
**BUILDING CONNECTION**



(2) - 1/4"Ø X 2 1/2" SCREWS OR  
(2) - #14 X 2 1/2" TAPCON ANCHORS INTO CONCRETE (TYP. FOR TOP & BOTTOM END CLIPS)



(2) - #14 X 1" SCREWS INTO ALUMINUM POST (TYP.) & (2) - #8 X 1 1/4" FLAT HEAD SCREWS TO BOTTOM RAIL

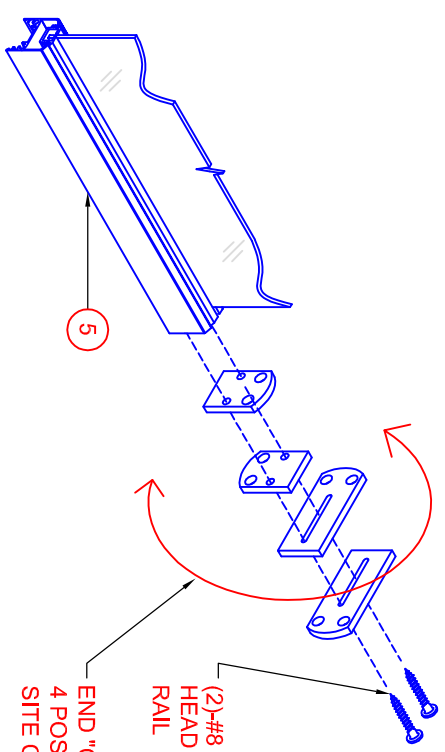


**2 1/2" ALUMINUM POST CONNECTION**

ITEM	DESCRIPTION
1	2 1/2" SQUARE □ OR ROUND TOP □ RAIL (CHECK CORRECT BOX)
2	(NOT SHOWN)
3	TEMPERED GLASS PANEL 5mm THK. IN CANADA □ OR 1/4" THK. IN USA (CHECK CORRECT BOX)
4	2 1/2" STANDARD ALUMINUM POST
5	BOTTOM GLASS CHANNEL
6	FASCIA BRACKET (2 1/2" POST)
7	TOP GLAZING GASKET
8	BOTTOM GLAZING GASKET
9	TOP RAIL END CLIP
10	BOTTOM RAIL END CLIP
11	(NOT SHOWN)
12	(NOT SHOWN)

**END CLIP CONNECTION**

**SECTION A-A**

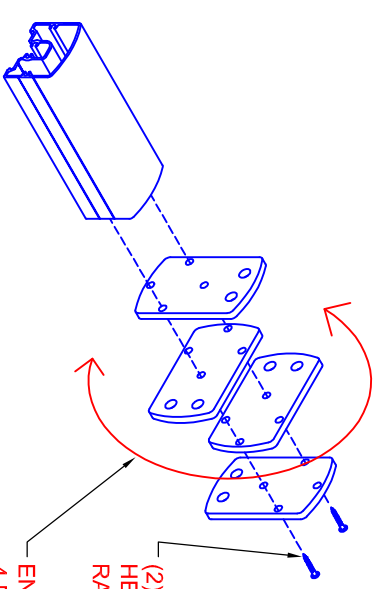


**BOTTOM RAIL END CLIP ROTATION**

(2)-#8 x 1 1/4" FLAT HEAD SCREWS INTO RAIL  
END "CLIP" ROTATES INTO 4 POSITIONS TO SUIT SITE CONDITIONS

**POST CLIP CONNECTION**

**SECTION B-B**



**TOP RAIL END CLIP ROTATION**

(2)-#8 x 1 1/4" FLAT HEAD SCREWS INTO RAIL  
END "CLIP" ROTATES INTO 4 POSITIONS TO SUIT SITE CONDITIONS

**NOTES:**  
(1) BUILDING GENERAL CONTRACTOR MUST ENSURE THAT PROPER BACKING IS PROVIDED FOR FIRM ANCHORAGE OF GUARD RAIL ENDS  
(2) TOP & BOTTOM END CLIPS ROTATE IN 4 POSITIONS (DEFAULT POSITION SHOWN, ROTATE TO SUIT SITE CONDITIONS PER 3D DIAGRAM BELOW).



PROJECT:

CLIENT:

SITE LOCATION:

DRAWN	PROJECT
DESIGNED	CHECKED
SCALE	NTS
CREATED	JAN 07

No	DATE
ISSUE -	REVISION

**FASCIA MOUNT GLASS END CONNECTIONS**

DWG No.

