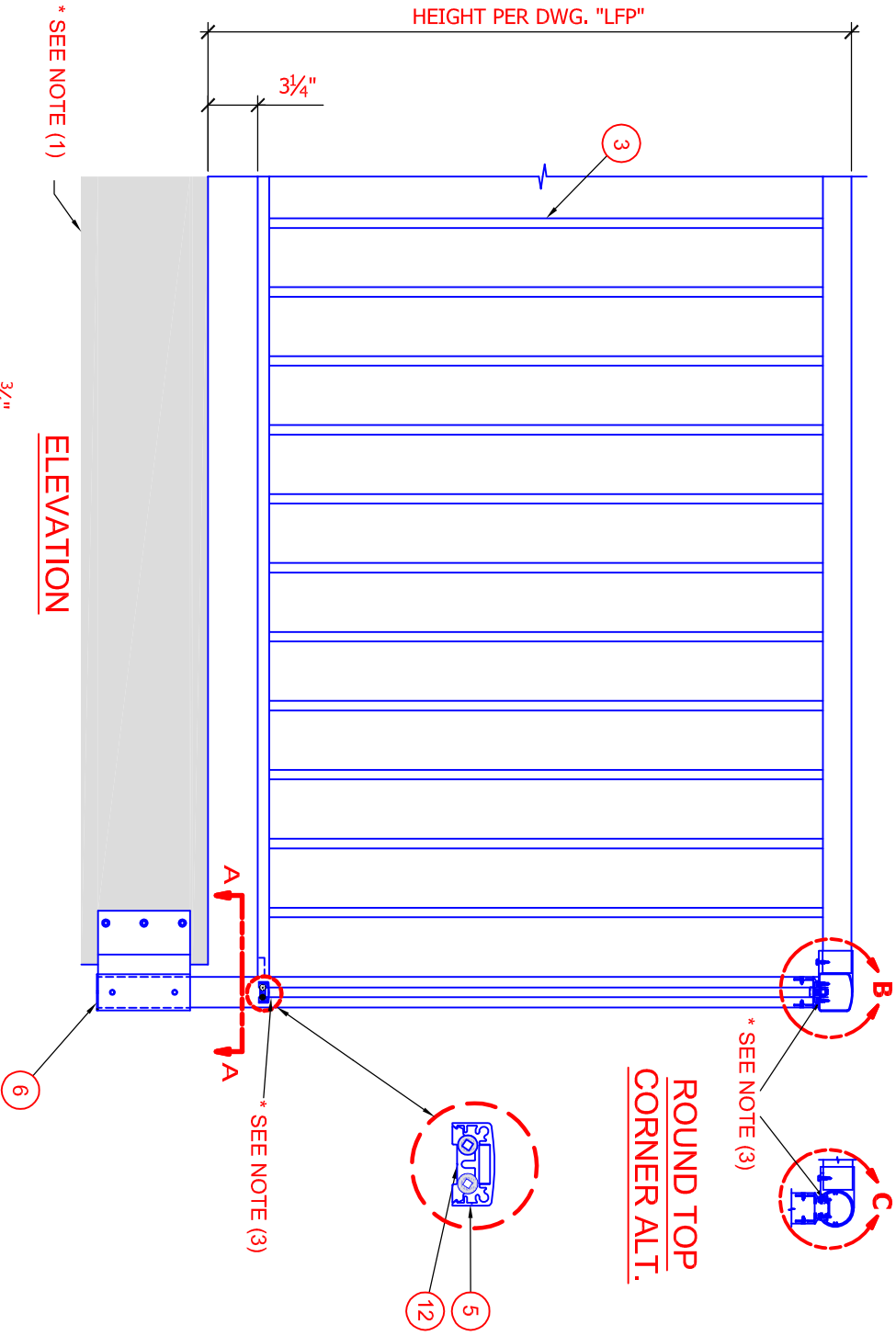
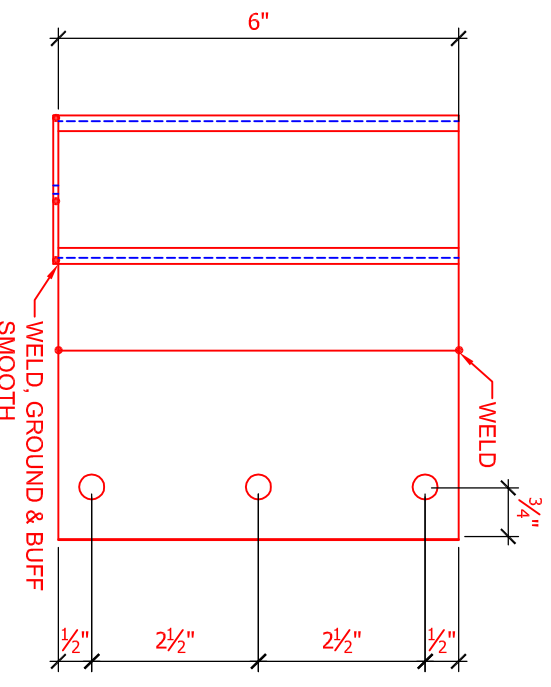


ITEM	DESCRIPTION
1	2 1/4" SQUARE □ OR ROUND TOP □ RAIL (CHECK CORRECT BOX)
2	RAIL/POST CONNECTOR C/W 3/8"Ø NUT AND BOLT TO RAIL & (2) - #8 X 1/2" SCREWS TO POST
3	5/8" X 5/8" ALUMINUM PICKET
4	2" STANDARD ALUMINUM POST
5	1 3/8" X 3/4" BOTTOM CHANNEL
6	FASCIA CORNER BRACKET (2" POST) C/W (6) - 5/16"Ø X 3 1/4" LAG SCREW INTO WOOD OR (6) - 3/8"Ø X 3" KWIK BOLTS II ANCHORS INTO CONCRETE AND TO POST W/ (4)-#14 X 1" HEX HEAD SCREWS C/W SHEET METAL THREADS AND 1/4" SHANK
7	(NOT SHOWN)
8	(NOT SHOWN)
9	(NOT SHOWN)
10	(NOT SHOWN)
11	TOP RAIL EXTERNAL CORNER SLEEVE
12	CHANNEL BLOCK C/W (2)-#10 X 2" SCREWS TO POST

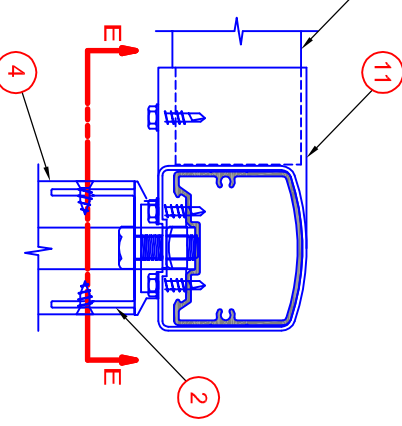
**ROUND TOP CORNER ALT.**



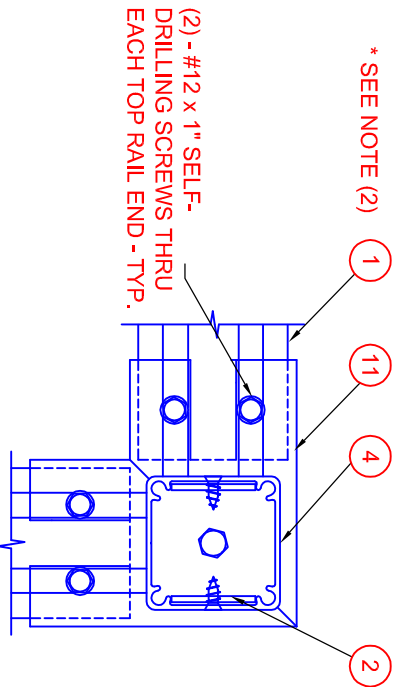
**ELEVATION**



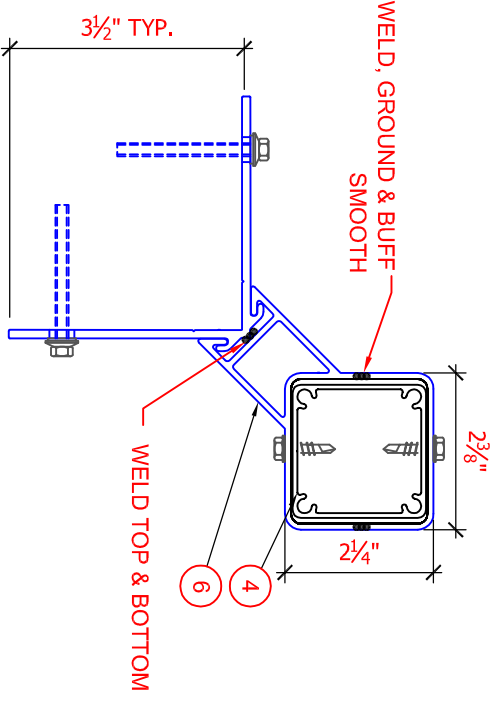
**FASCIA CORNER BRACKET DETAIL**



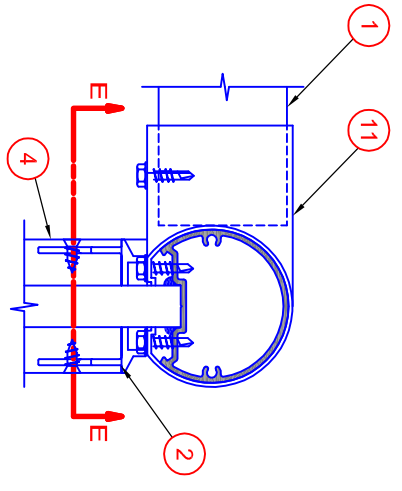
**DETAIL 'B' SQUARE TOP CORNER**



**SECTION E-E**



**SECTION A-A**



**DETAIL 'C' ROUND TOP CORNER**

- NOTES:**
- (1) BUILDING GENERAL CONTRACTOR IS RESPONSIBLE FOR PROVIDING ADEQUATE BACKING IN WALLS AND FLOORS TO AFFIX TO THE BUILDING THE ALUMINUM GUARDRAIL LAYOUT DEFINED IN THESE DRAWINGS
  - (2) ITEM #1 FITS INSIDE ITEM #11 ; ITEM #2 FITS INSIDE ITEM #4 ; ITEM #12 SNAPS INSIDE ITEM #5
  - (3) WELD PICKET TO UNDERSIDE OF TOP OF PART #1 OR #5



PROJECT: \_\_\_\_\_  
 CLIENT: \_\_\_\_\_  
 SITE LOCATION: \_\_\_\_\_

DRAWN	PROJECT
DESIGNED	CHECKED
SCALE	NTS
CREATED	JAN 07

No	DATE	ISSUE - REVISION

**FASCIA MOUNT PICKET 2" CORNER POST**  
 DWG No. **FPC2.0**