



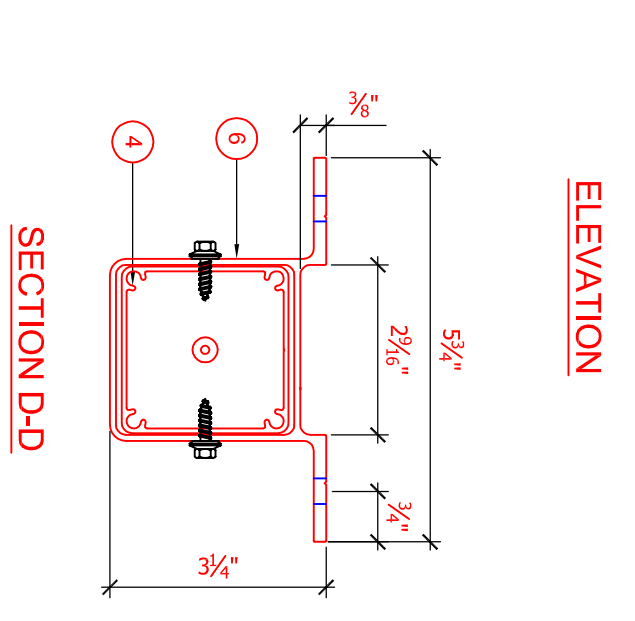
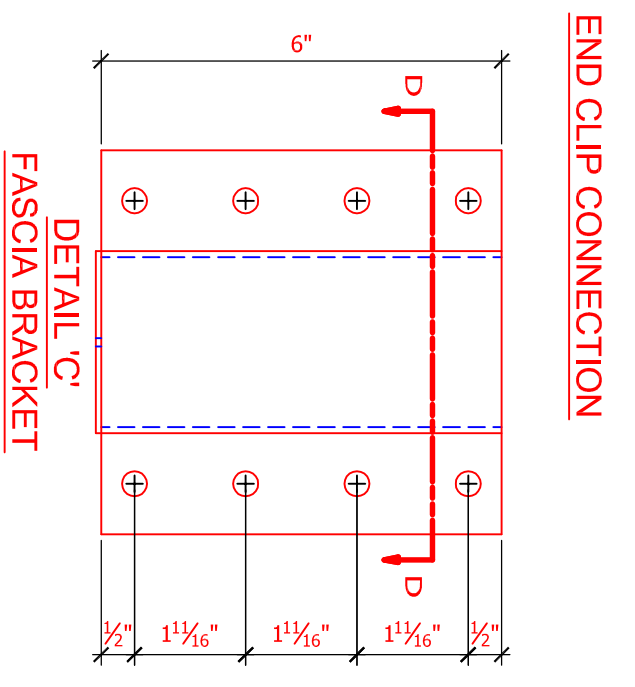
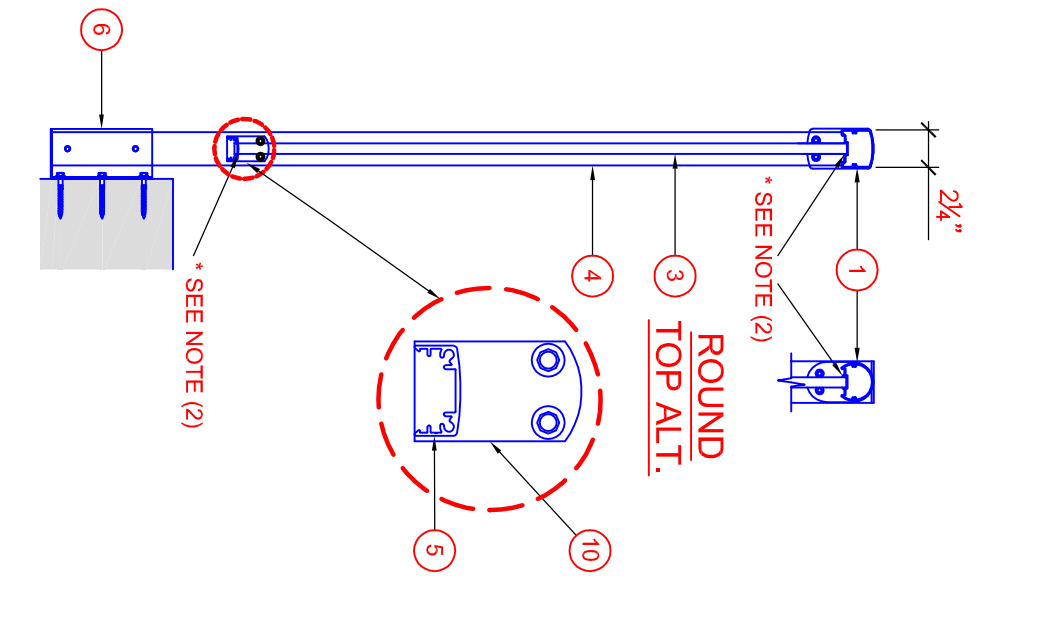
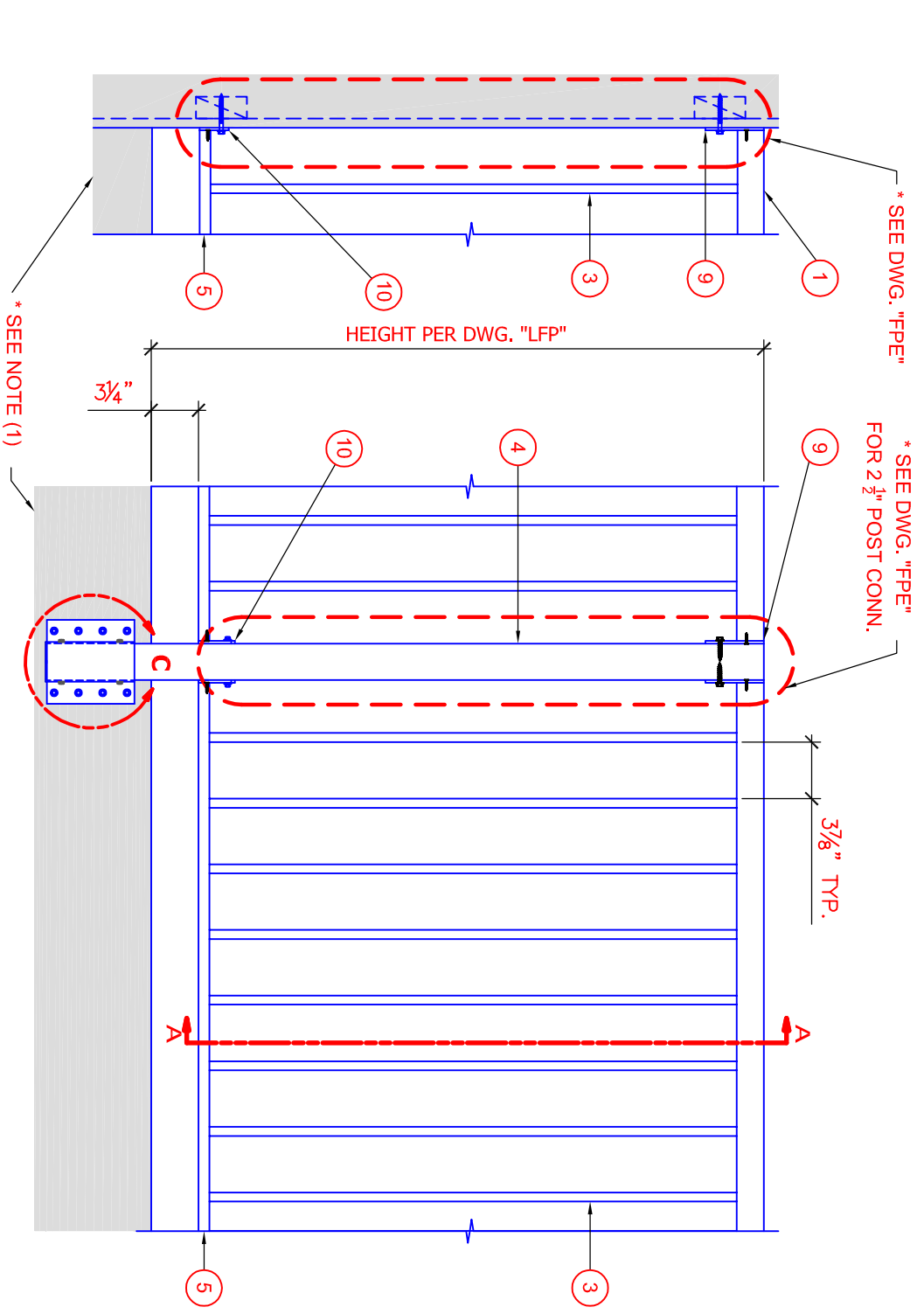
PROJECT:
CLIENT:

SITE LOCATION:

DRAWN	PROJECT
DESIGNED	CHECKED
SCALE	NTS
CREATED	JAN 07

No	DATE	ISSUE - REVISION
----	------	------------------

FASCIA MOUNT 2.5" POST GUARD W/ PICKETS
DWG No. **FP2.5**



ITEM	DESCRIPTION
1	2 1/2" SQUARE □ OR ROUND TOP □ RAIL (CHECK CORRECT BOX)
2	(NOT SHOWN)
3	5/8" X 5/8" ALUMINUM PICKET
4	2 1/2" STANDARD ALUMINUM POST
5	1 3/8" X 3/4" BOTTOM CHANNEL
6	FASCIA BRACKET (2 1/2" POST) CW (8) - 5/16"Ø X 3 1/4" LAG SCREW INTO WOOD OR (8) - 3/8"Ø X 3" KWIK BOLTS II ANCHORS INTO CONCRETE AND TO POST W/ (4)-#14 X 1" HEX HEAD SCREWS CW SHEET METAL THREADS AND 1/2" SHANK
7	(NOT SHOWN)
8	(NOT SHOWN)
9	TOP RAIL END CLIP CW (2)-1"Ø X 2 1/2" SCREWS INTO WOOD OR (2)-#14 X 1" SCREWS INTO ALUMINUM POST & (2)-#8 X 1 1/4" FLAT HEAD SCREWS TO TOP RAIL
10	BOTTOM RAIL END CLIP CW (2)-1"Ø X 2 1/2" SCREWS INTO WOOD OR (2)-#14 X 1" SCREW INTO ALUMINUM POST AND (2)-#8 X 1 1/4" FLAT HEAD SCREWS TO BOTTOM RAIL
11	(NOT SHOWN)
12	(NOT SHOWN)

NOTES:
(1) BUILDING GENERAL CONTRACTOR IS RESPONSIBLE FOR PROVIDING ADEQUATE BACKING IN WALLS AND FLOORS TO AFFIX TO THE BUILDING THE ALUMINUM GUARDRAIL LAYOUT DEFINED IN THESE DRAWINGS
(2) WELD PICKET TO UNDERSIDE OF TOP OF PART #1 OR #5